

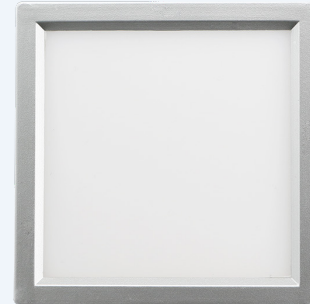
## OVERVIEW

### TOOLS REQUIRED (NOT INCLUDED)

- Wiring supplies as per national and local electrical codes
- Hardware/tools required to mount to structure (field provided)

### The following are required for mounting:

- Junction Box
- Screws



## IMPORTANT

- Before installing fixture, read all instructions and retain for future reference. The important instructions and safeguards that appear in this document are not inclusive of all possible conditions and situations that may occur. It must be understood that common sense, caution, and care are factors that cannot be built into a product. These factors must be supplied by those that care and operate the fixture.

## WARNING & SAFETY

- Risk of electric shock!
- Ensure power is OFF at the electrical panel before starting installation or maintenance
- Verify site supply voltage matches luminaire product label
- Ensure the cover is closed during operation
- Modifications to the product will void warranty
- Wiring to fixture must be in accordance with the National Electrical Code and all applicable local electrical and safety regulations

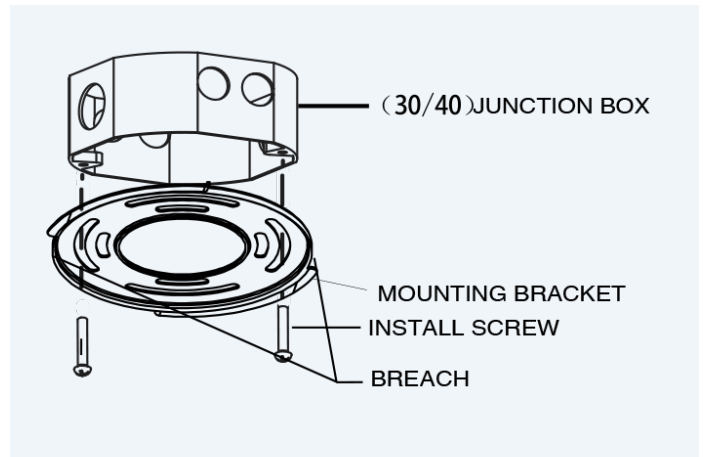


**FOR ADDITIONAL INFORMATION REQUIRED NOT COVERED IN THIS DOCUMENT PLEASE CONTACT A LOCAL REPRESENTATIVE!**

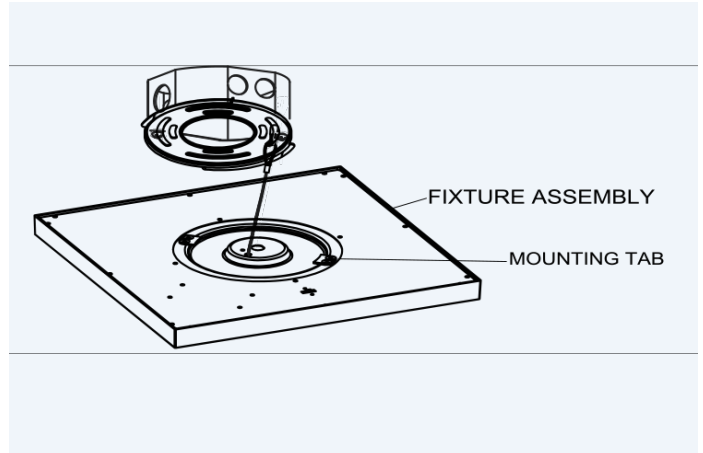
# SQUARE SLIM SURFACE FIXTURE | INSTALLATION GUIDE

## INSTALLATION TO SURFACE JUNCTION BOX

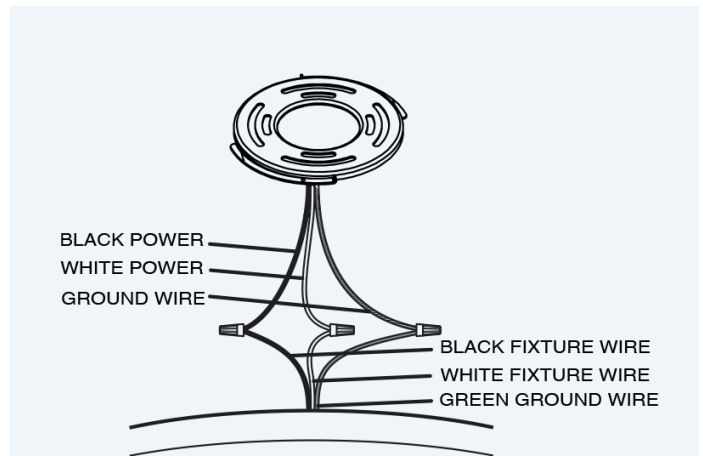
#	Step
1	Hold mounting bracket up to the junction box with the flange facing down. Align breach side of the mounting bracket parallel to nearest wall. Screw Mounting bracket to the J-Box.



#	Step
2	Before connecting wires, attach the hook side of the safety cable to the mounting bracket.

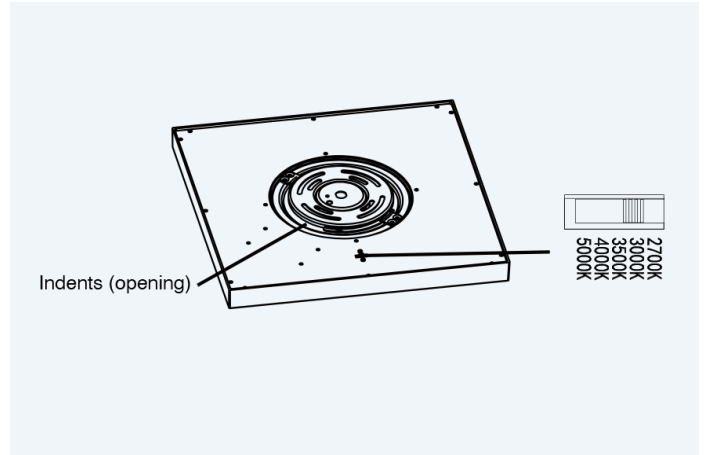


#	Step
3	<b>WITH POWER TURNED OFF</b> , connect the green groundwire from the fixture to the bare copper groundwire from the junction box using a wirenut. (If housing does not include a ground wire, consult your local electrical code for approved grounding methods) Use wirenuts to connect the black fixture wire to the black power supply wire and white fixture wire to the white power supply wire.



# SQUARE SLIM SURFACE FIXTURE | INSTALLATION GUIDE

#	Step
4	Align the fixture with the mounting bracket, ensuring it fits into the tabs. Select your CCT preference at this time.



#	Step
5	Using sticker on the fixture (reference for mounting tab) and on the ceiling as reference point, lift fixture up to the ceiling and rotate clockwise until fixture is secured. (45 degree turn until it locks)

