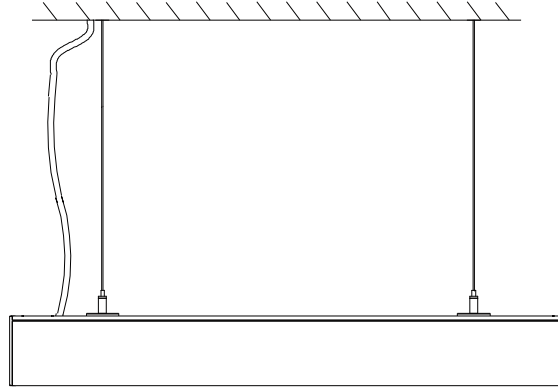


Date:	Project Name:
Type:	Part Number:

Architectural Strip for 2ft/4ft/8ft Installation Spec



All the pictures are just for references.

Safety Information

CAUTION! Risk Of Electrical Shock

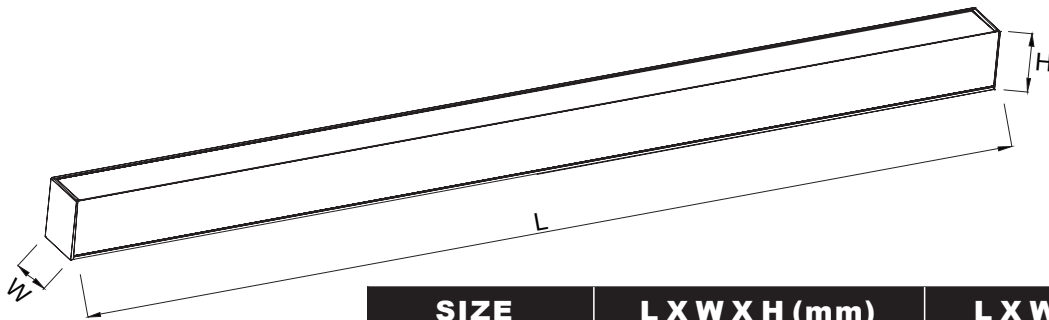
Turn off all power prior to installation by switching off circuit breaker or removing fuse at fuse box.

- This product should be installed by a certified electrician in accordance with relevant federal, state and local building and electrical codes

Common Failures & Solutions






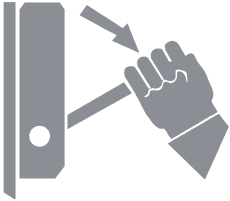
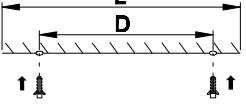
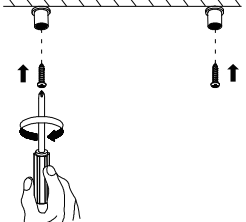
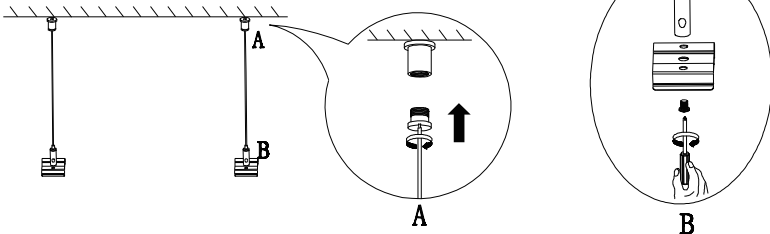
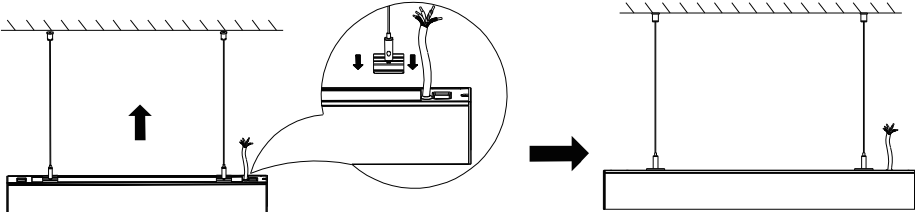
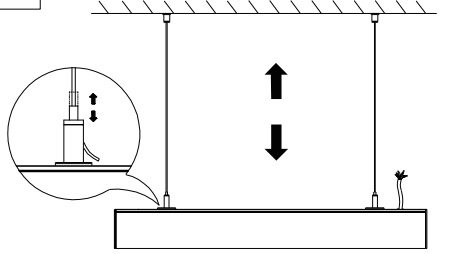
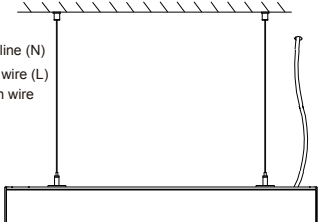


Common Failures	Solutions
Light is out	Ensure the lamp is well connected.
	Ensure the switch is turned on.
Flashing	Ensure the voltage is stable.
	Ensure the dimmer is compatible.

Size

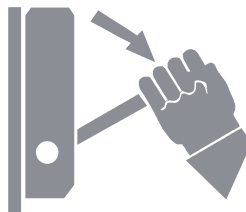
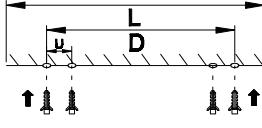
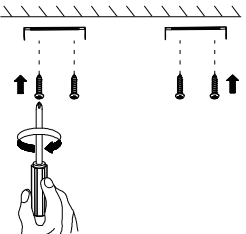
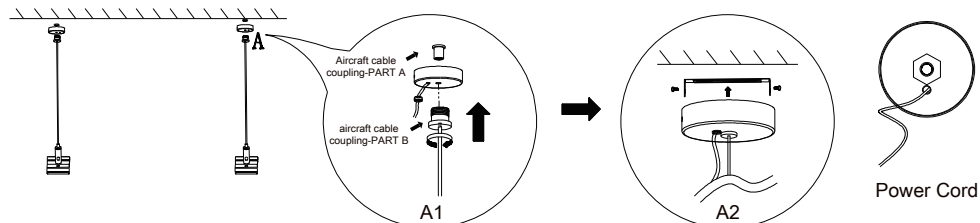
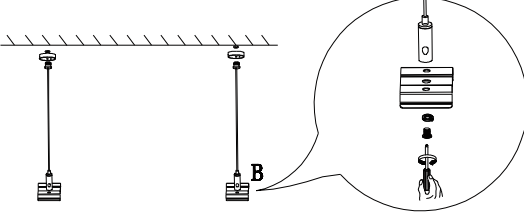
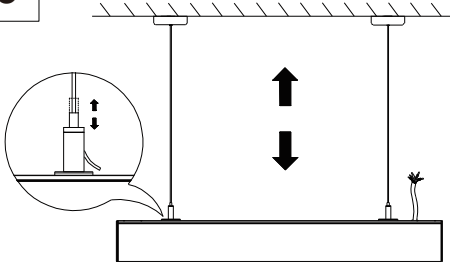
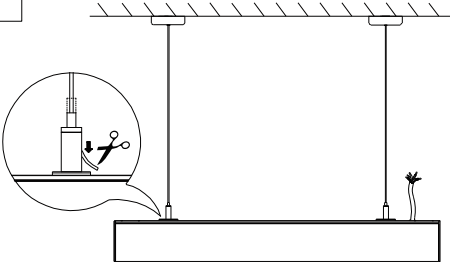
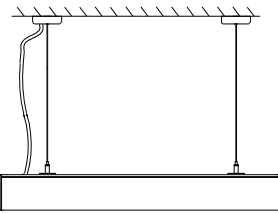



SIZE	L X W X H (mm)	L X W X H (Inch)
2FT	600 X 60 X 75 mm	24 X 2.36 X 2.95"
4FT	1200 X 60 X 75 mm	48 X 2.36 X 2.95"
8FT	2400 X 60 X 75 mm	96 X 2.36 X 2.95"

SUSPENSION INSTALLATION

 Plastic dowel*2	 Tapping screw*2	 Hanging wire system*2	 Install shrapnel*2	 Round head machine screw*2							
<p>1 before installation, Please turn off the switch.</p> 	<p>2 Punch 2 holes with Φ 6mm in the ceiling and plug the plastic dowel into the hole.</p>  <table border="1" data-bbox="592 661 836 745"> <thead> <tr> <th>Light length</th> <th>Recommended hole spacing D (mm)</th> </tr> </thead> <tbody> <tr> <td>2FT</td> <td>330</td> </tr> <tr> <td>4FT</td> <td>800</td> </tr> <tr> <td>8FT</td> <td>600</td> </tr> </tbody> </table>		Light length	Recommended hole spacing D (mm)	2FT	330	4FT	800	8FT	600	<p>3 Fix 2 suspension wire heads on the ceiling (Below the picture)</p> 
Light length	Recommended hole spacing D (mm)										
2FT	330										
4FT	800										
8FT	600										
<p>4 Fix the accessory wire rope on the suspension wire heads (Picture A) Fasten the Install shrapnel on the wire lock (Picture B)</p> 											
<p>5 Snap the Install shrapnel on the suspension wire onto the profile of the light (Below the picture)</p> 											
<p>6 The hoisting height of lights is controlled by adjusting the steel cable</p> 	<p>7 Connect the input line of the light with the mains electricity, and connect the dimming line into the lead of the dimmer before connecting to the mains electricity (The positive and negative poles should correspond)</p>  <p>White — Null line (N) Black — Live wire (L) Yellow & green — Earth wire</p>										
<p>8 Row Mounting: Install the lens after the fixture is completed.</p> 	<p>9 After installation, turn on the switch.</p>  <p>ON</p>										




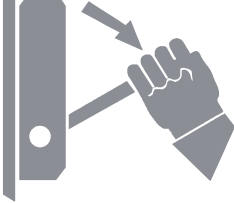
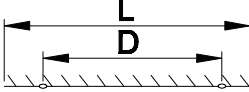
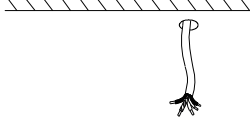
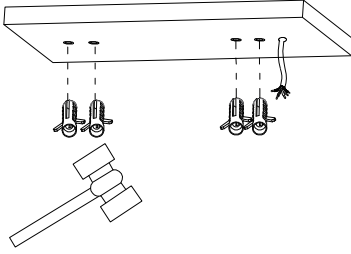
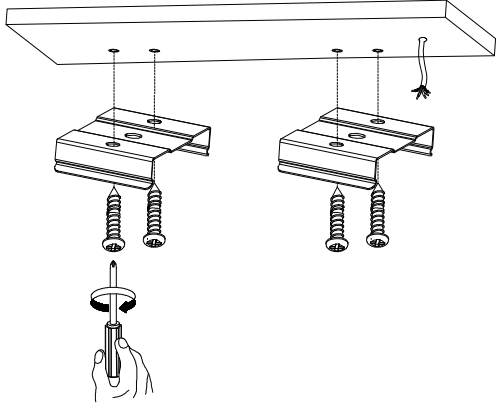
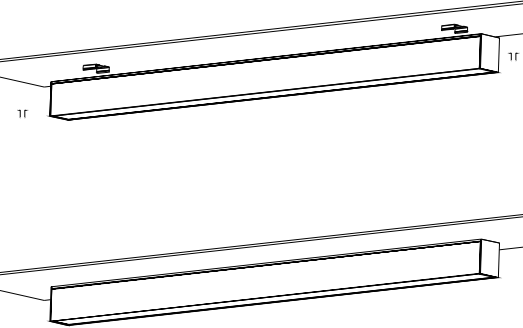
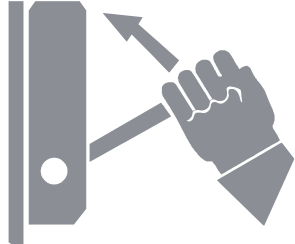
SUSPENSION WITH CANOPY INSTALLATION

<p>1 before installation, Please turn off the switch.</p> 	<p>2 Punch 4 holes with Φ 6mm in the ceiling and plug anchors into the hole</p>  <table border="1"> <thead> <tr> <th>Light length</th> <th>Recommended hole spacing D (mm)</th> <th>U (mm)</th> </tr> </thead> <tbody> <tr> <td>2FT</td> <td>330</td> <td>Actual test data</td> </tr> <tr> <td>4FT</td> <td>800</td> <td>Actual test data</td> </tr> <tr> <td>8FT</td> <td>600</td> <td>Actual test data</td> </tr> </tbody> </table>	Light length	Recommended hole spacing D (mm)	U (mm)	2FT	330	Actual test data	4FT	800	Actual test data	8FT	600	Actual test data	<p>3 Using screw B to fix two ceiling bracket on the ceiling</p> 
Light length	Recommended hole spacing D (mm)	U (mm)												
2FT	330	Actual test data												
4FT	800	Actual test data												
8FT	600	Actual test data												
<p>4 Pass the aircraft cable coupling-PART B through the hole of Canopy A, Screw the Aircraft cable coupling-PART A, as shown as below figure A1. Install the Canopy on the ceiling bracket, screw the screw C on the side as shown A2.</p> 														
<p>5 Pass the Screw A through washer and the hole of spring iron plate. Screw the Aircraft cable coupling-PART C to fix aircraft cable on the spring iron plate 1.</p> 														
<p>6 Lift the fixture up and press the spring iron plate on the back of fixture</p> 	<p>7 The installation is completed as shown in the picture.</p> 													
<p>8 After installation</p> 	<p>9 After installation, turn on the switch.</p>  <p>ON</p>													




Date:	Project Name:
Type:	Part Number:

■ SURFACE INSTALLATION

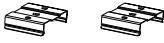
 <p>Wafer Head Self Tapping Screw*4</p>	 <p>plastic dowel*4</p>	 <p>Install shrapnel*2</p>										
<p>1 before installation, Please turn off the switch.</p> 	<p>2 Drill two groups of 6mm Φ holes on the ceiling, each group of 2pcs, and the spacing of holes in the group is 32mm. (Below the picture)</p>  <table border="1" data-bbox="641 735 868 823"> <thead> <tr> <th>Light length</th> <th>Recommended hole spacing</th> </tr> <tr> <th>L (mm)</th> <th>D (mm)</th> </tr> </thead> <tbody> <tr> <td>2FT</td> <td>330</td> </tr> <tr> <td>4FT</td> <td>800</td> </tr> <tr> <td>8FT</td> <td>600</td> </tr> </tbody> </table>	Light length	Recommended hole spacing	L (mm)	D (mm)	2FT	330	4FT	800	8FT	600	<p>3 Lead out the mains electricity (Below the picture)</p> 
Light length	Recommended hole spacing											
L (mm)	D (mm)											
2FT	330											
4FT	800											
8FT	600											
<p>4 Insert the plastic dowel into the hole on the ceiling (Hole spacing 32mm) (Below the picture)</p> 	<p>5 String the wafer Head Self Tapping Screw into the Install shrapnel and lock it into the plastic dowel</p> 											
<p>6 Connect the line of the light to the mains electricity and dimmer wiring, and then lift the light and clip it into the installed mounting bracket</p> 	<p>7 After installation, turn on the switch.</p>  <p>ON</p>											

Date:	Project Name:
Type:	Part Number:


RECESSED INSTALLATION




screw*8



Install shrapnel*2




Pan head screws with cross recess*2
(m5*6)



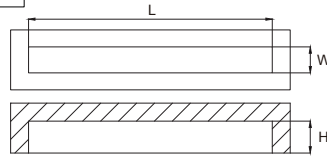
Bridge support*2

1 before installation, Please turn off the switch.



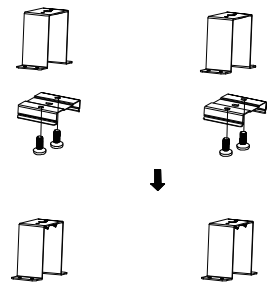
OFF

2 Open square hole in the ceiling

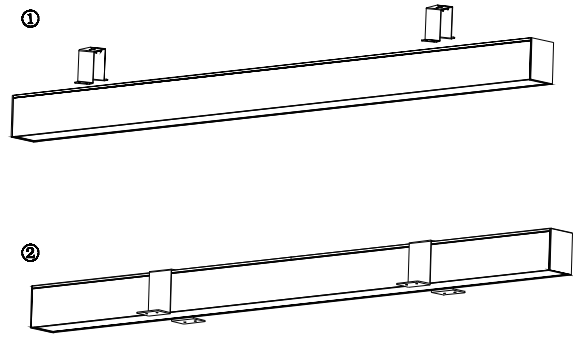


Light length	Recommended length L (mm)	Recommended width W (mm)	Recommended depth H (mm)
2FT	605	68	84
4FT	1205	68	84
8FT	2405	68	84

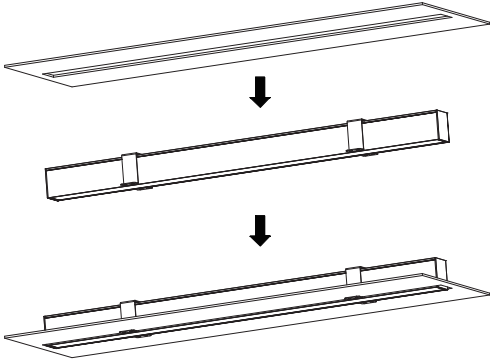
3 Install 2 mounting shrapnel on the bridge support (Below the picture)



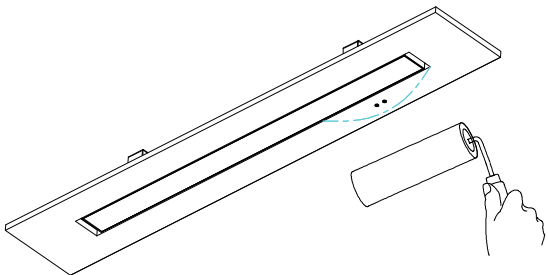
4 Clip in the light body through the assembly in step 3



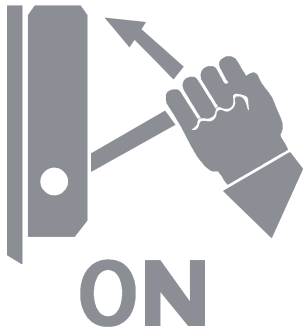
5 Connect the input line and dimming line to the corresponding positions respectively, then install the light body fixed with the mounting bracket on the ceiling, and fix the bracket with the ceiling with screws to complete the fixation of the light and the ceiling



6 When installing the bridge support in step 5, coat the external screws with putty powder and polish the ceiling smooth.



7 After installation, turn on the switch.



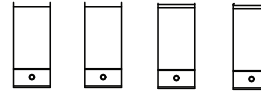
ON

Date:	Project Name:
Type:	Part Number:

WALL INSTALLATION



wall mount frame*1
junction box cover*1



plire clips*4



mounting bracket*2



plastic dowel*4

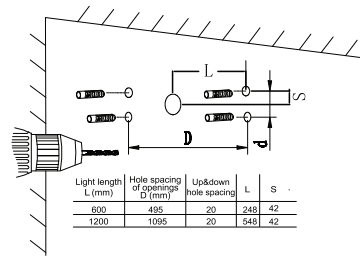


Wafer Head Self Tapping Screw*4

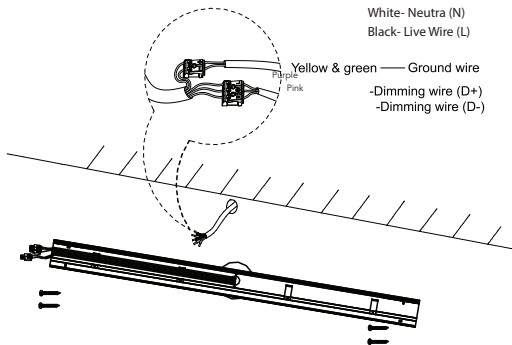
Step 1 : Before installation, please turn off the switch



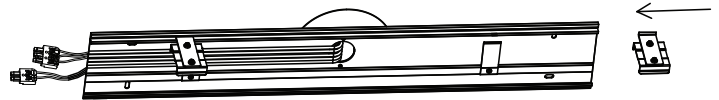
Step 2 : Punch 4 holes with 6mm on the wall, plug the anchors into the hole, and punch one holes with 10 in the figure



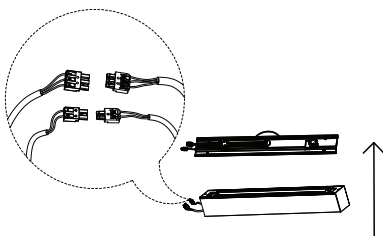
Step 3 : Wire the extension cable to the main supply and mount the frame on the wall through the pre-drilled holes.



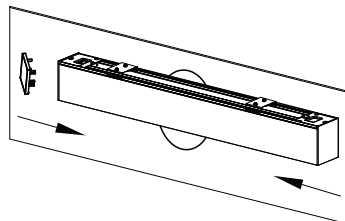
Step 4 : Slide the brackets into the frame.



Step 5 : Lift the Fixture upwards and clip it to the brackets. Route the extension cable into the inside of the fixture and quick connect with the fixture power cable.



Step 6 : Install the left end cap as well as the right one.



Step 7: After installation, turn off the switch



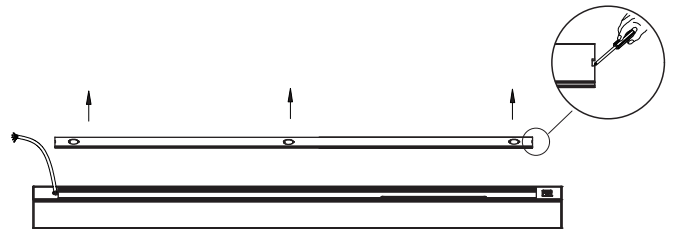
Date:	Project Name:
Type:	Part Number:

■ UPPER LUMINOUS MODULE ASSEMBLY

Upper Luminous Module *1



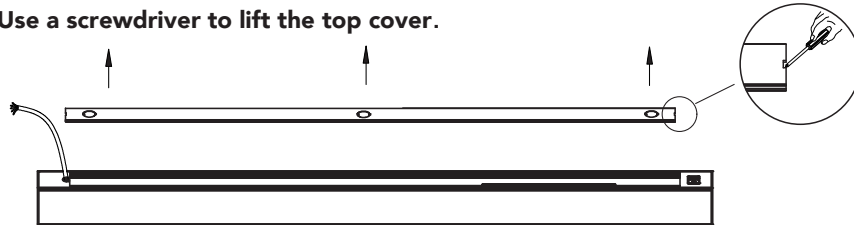
Step 1 : Before installation, please turn off the switch



Step 2: Use a screwdriver to lift the top cover.

INSTALLATION INSTRUCTIONS:

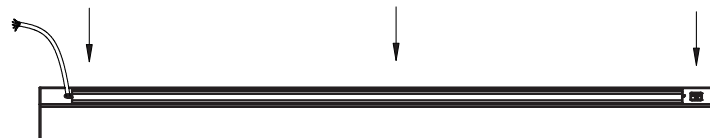
Step 1 : Use a screwdriver to lift the top cover.



Step 2: Connect the wires one by one with quick connector.



Step 3: Press to install the upper luminous module.



■ CONTINUOUS INSTALLATION

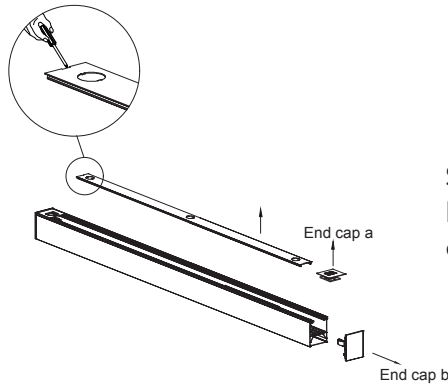


Figure 1

Step 1 : Use a screwdriver to lift the top cover ; Remove the magnetic end cap a and the spring end cap b by hand, as shown the left Figure 1

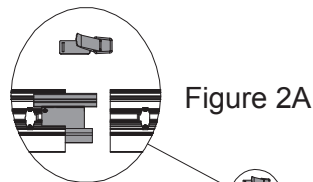


Figure 2A

Step 2: Insert H mechanical joiner into one side of fixture, and then connect it to another fixture. You can fix H with two screws or not. Put the spring buckle on the connection plate, and then buckle it on the connection plate of another fixture. As shown in Figure 2A. The effect after installation is shown in Figure 2B

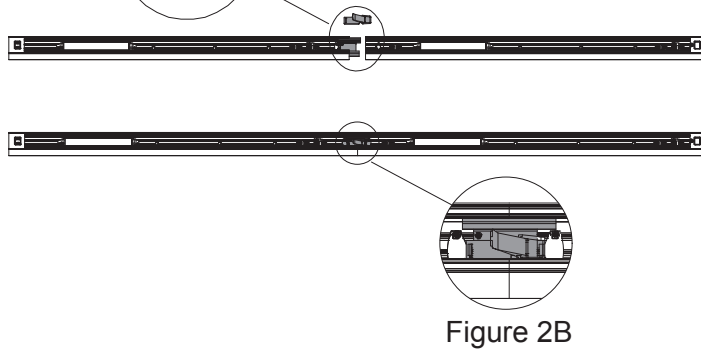


Figure 2B



Figure 3

Step 3: Pull the power cord of the fixture on the right to the fixture on the left inside of fixture body, and connect the wires one by one with quick connector. As shown in Figure 3.

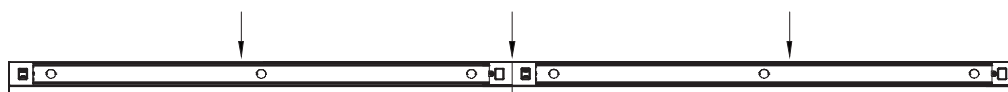
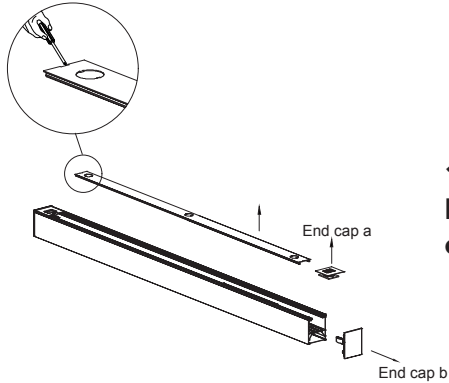


Figure 4

Step 4: Put end cap A, end cap B and cover plate on

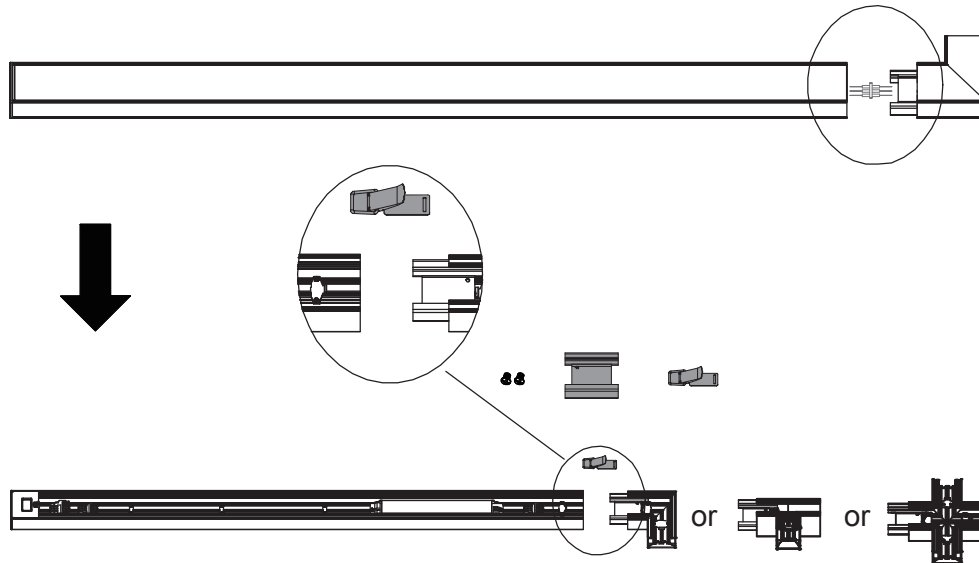
Date:	Project Name:
Type:	Part Number:

■ " T " " + " " L " JOINT INSTALLATION

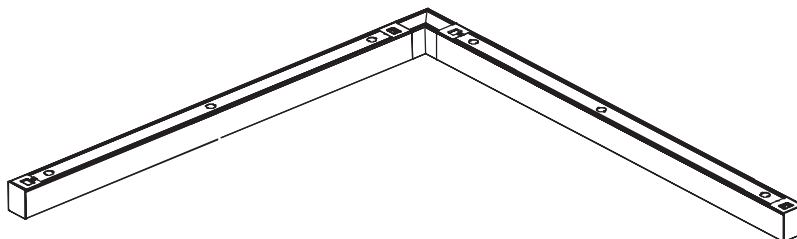


1. Use a screwdriver to lift the top cover; Remove the magnetic end cap a and the spring end cap b by hand, as shown the left Figure.

2. Insert terminal pin to one side of fixture. And then insert H mechanical joiner into one side of fixture. Then please connect fixture to "L" corner kit. Check if the terminal pin is connected normally.



3. The other side connection is same as the last step.



Date:	Project Name:
Type:	Part Number:

Step 4: Power cord has two ways to be connected.

Way one: Every fixture are power by its own power cord as below figure 1 shown.

Way two: Fixture connected in in series. Pull the AC line of second fixture to first fixture inside of fixture body , and connect the wires one by one with quick connector. As shown in Figure 2.

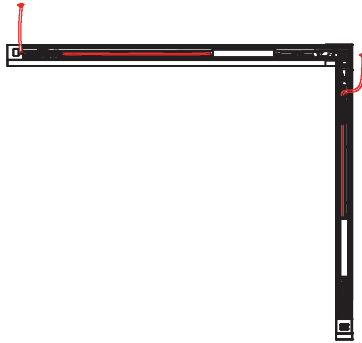


Figure 1

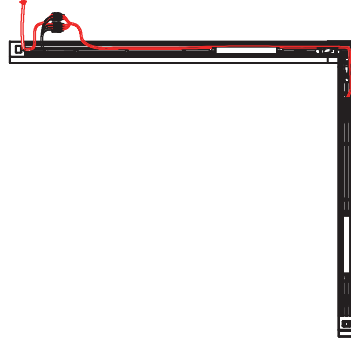
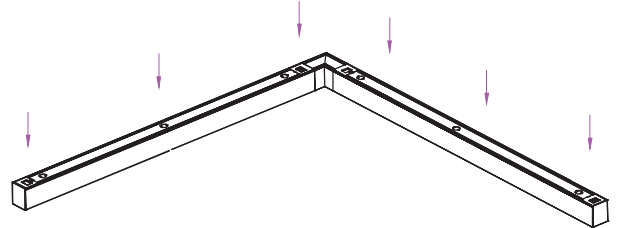


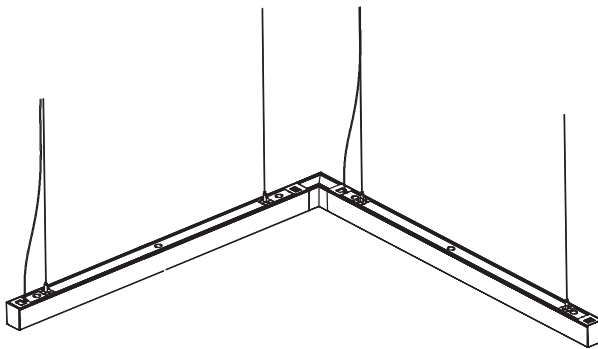
Figure 2

Step 5: Put cover plate on.

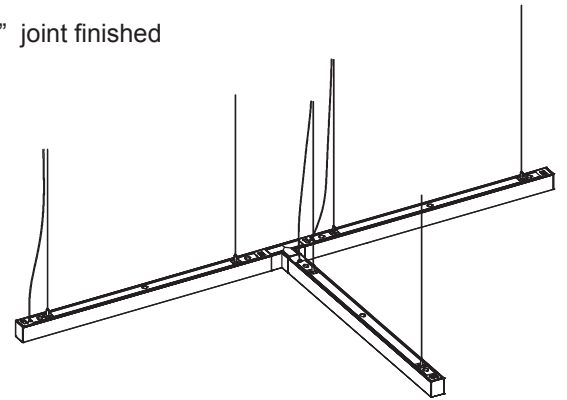


Step 6: "+"&"T" joint is same as "L".

"L" joint finished



"T" joint finished



"+" joint finished

