

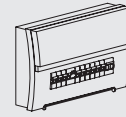
Date:	Project Name:
Type:	Part Number:

Installation Instructions

RENO-SW-26W-MS-WH/BK

WARNING

1. Switch off before installation.
2. Switch on only after complete installation and examination of the circuit.
3. Professional electrician for installation and maintenance only.



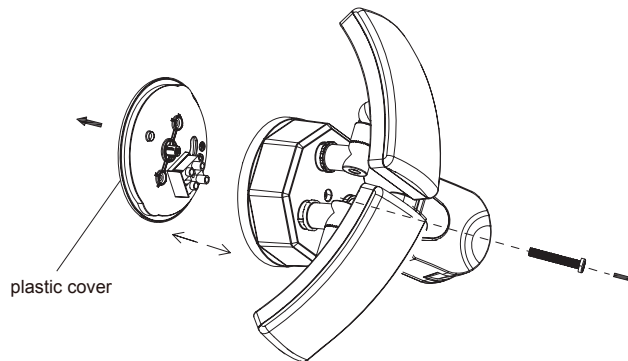
Turn Off power supply before starting any installation. Read instructions & check you have all the tools & accessories to complete the installation correctly.

Mounting location: Wall mounted or Eave mounted.

Installation height: Recommended installation height is 6ft to 10ft, the actual sensing range may vary with altitude.

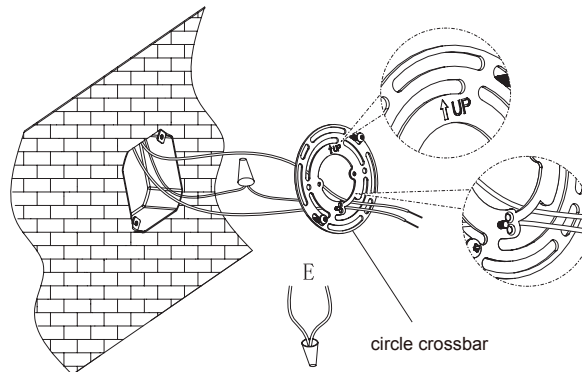
Step 1

Take out the light fixture, loosen the screw in the middle of lamp base, and take out the plastic cover



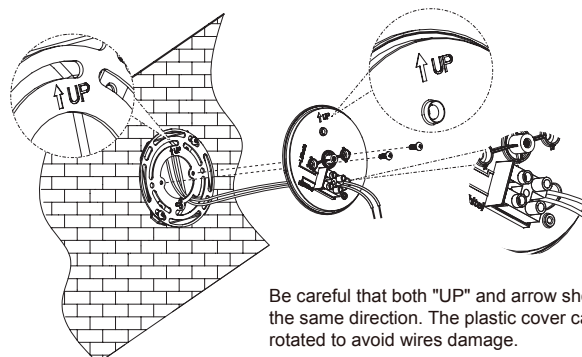
Step 1

Connect Earth wire by using wire nuts, remaining wires to be pass through the hole of circle crossbar. Install the circle crossbar to junction box with screws.



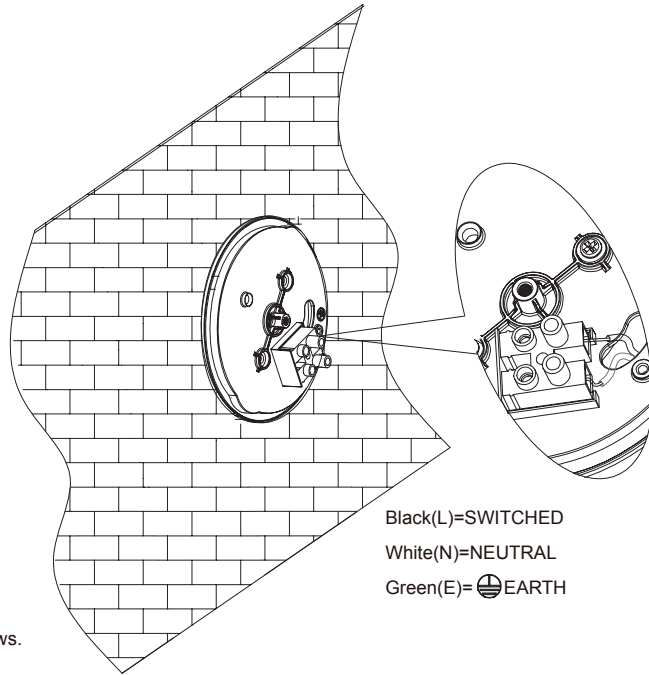
Step 3

Wires to be pass through the hole of plastic cover. Install the plastic cover to circle crossbar with screws.



Be careful that both "UP" and arrow should be in the same direction. The plastic cover cannot be rotated to avoid wires damage.

Date:	Project Name:
Type:	Part Number:

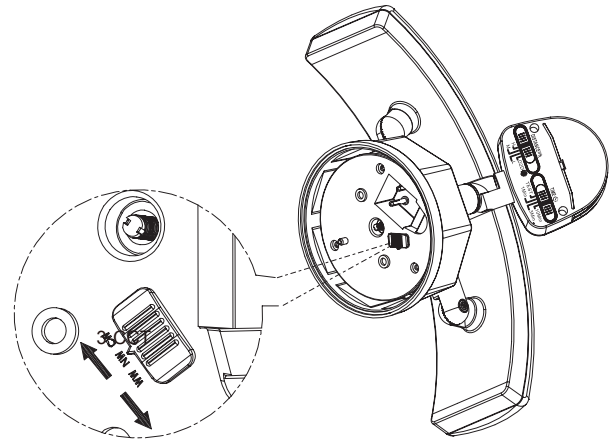


Step 4

Insert the AC wires into the side of the terminal block and tighten terminal block screws.

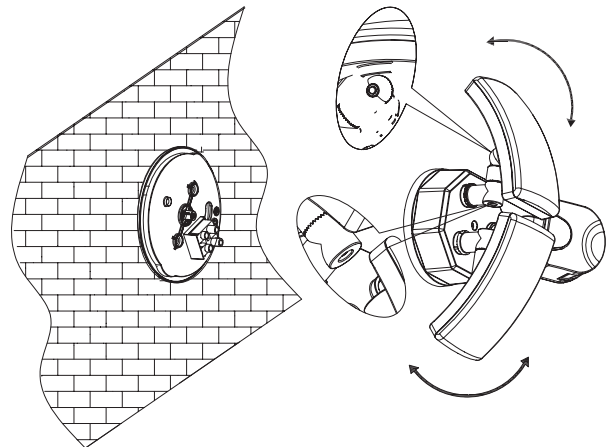
Step 5

Choose a preferred color temp. by slide switch if with CCT selected function.



Step 6

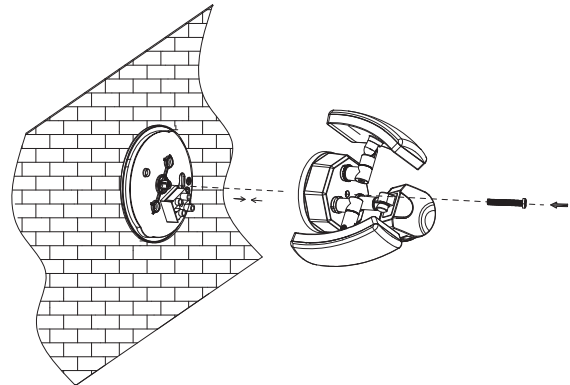
Loosen the screws on the swing arm, adjust the required light direction, and then lock the screws on the swing arm.



Date:	Project Name:
Type:	Part Number:

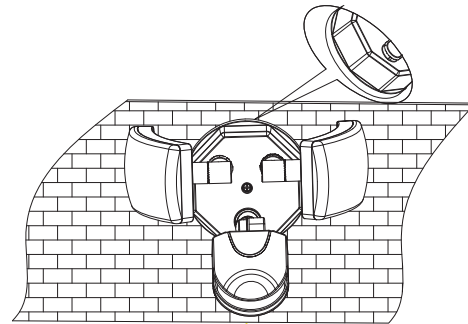
Step 7

Align the lamp body with plastic cover, tighten the screw through the lamp body, then adjust the sensing center area.



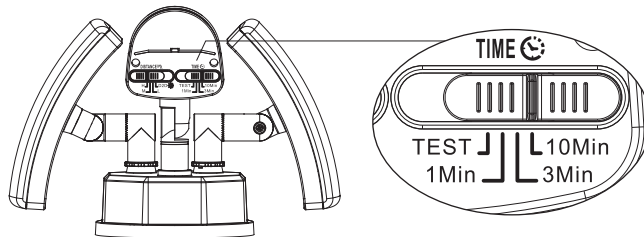
Step 8

Caulk around the wall and housing with waterproof silicone sealant to ensure a waterproof installation.

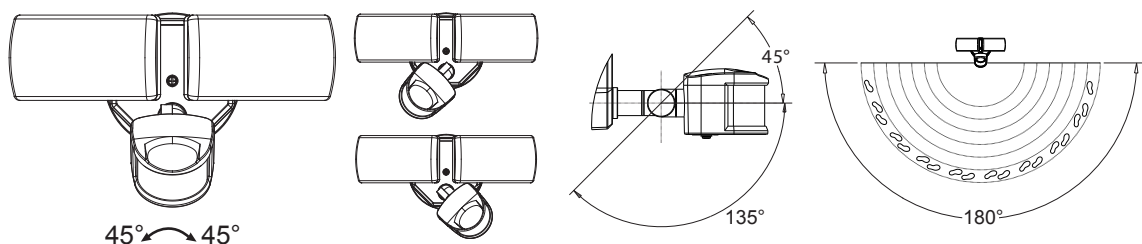


■ Sensor Settings

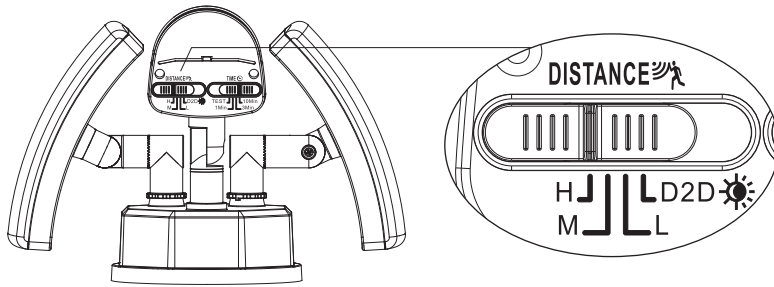
TIME SETTING: Adjust the switch of "Time" can set the duration of lighting time when the sensor detect an object movement, then it will turn the light on (The duration time when the objects stop movement), it can be set to 10min, 3min, 1min and 5s (test).



DETECTION SCOPE SETTING: The sensor can be adjusted clockwise or counterclockwise per requirement, the maximum can reach 45 degree, for the purpose of changing the detection scope. The sensor can be adjusted up 45° or down 130°. Detection distance can change by adjusting the sensor to different angles and degrees. When set with a 5° depression angle the detection distance will be near it's largest - 60 ft The detection distance and sensitivity will change based on the mounting height.



DISTANCE SETTING: Adjust the “distance” switch can set the sensitivity of the sensor means changing the sensor’s detection distance, it can be positioned to high, mid and low. To determine detection of motion sensor walk in an arc in front of the motion sensor. Motion sensor is less sensitive directly to and from sensor and more sensitive in an arc left to right.



DUSK TO DAWN FUNCTION: Select the D2D setting on the distance slider. Lights will be on at dusk/night and auto turn off at dawn/daytime. (Light sensor only in D2D mode.)

MANUAL OVERRIDE: Select the TEST setting on the Time Slider and the D2D setting on the distance slider.

■ Sensor Functions

- **MOTION SENSOR MODE (DISTANCE = H/M/L & TIME = TEST)**

In this setting, only the motion sensor is working, light is ON when activity or motion is detected during both day and night. This setting is usually for testing the fixture after installation.

- **NORMAL LIGHT MODE (ON/OFF) (DISTANCE = D2D & TIME = TEST)**

In this setting, the fixture works as a normal light fixture; without light or motion sensing.

- **DUSK TO DAWN MODE (D2D) (DISTANCE = D2D & TIME = 1/3/10 Min.)**

In this setting, the fixture is in D2D(Dusk To Dawn) mode, only the light sensor is working. The lights will turn on at night and the lights will auto shut off completely during the day, fixture will not be affected by activity or motion.

- **LIGHT & MOTION SENSOR MODE (DISTANCE = H/M/L & TIME = 1/3/10 Min.)**

In this setting, the light and motion sensor work together. The lights turn on at night when activity/motion is detected. After the time period expires and no motion has been sensed, the light shuts off completely. The light auto shuts off completely at day.