

<b>Date</b>		<b>Project</b>	
<b>Type</b>		<b>Part Number</b>	

# TENON BRACKET

## Square Pole Adaptor

The Reno Square Tenon Adaptor which converts the top of a 4" or 5" square pole into a 2 3/8" single tenon. It slips inside the pole and is perfect for the standard Slip-Fitter accessory.



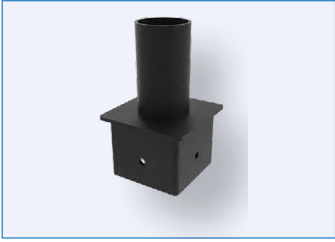
### PRODUCT FEATURES

- 2 3/8" horizontal tenon
- Fits over 4" or 5" Square pole
- Powder coated steel
- Matte Black Finish
- Custom colours available
- 1 year warranty

### KEY SPECIFICATIONS

<b>Tenon Diameter</b>	2-3/8"
<b>Mounting</b>	Pole mount: TAS4 - 4" (101.6mm) TAS5 - 5" (127mm)
<b>Applications</b>	Commercial, Residential, Warehouse, Retail Facilities

## ACCESSORIES – SQUARE ADAPTORS



R59308  
RENO-TAS4  
Tenon Adaptor for 4" SQUARE  
Pole – 4" Tenon



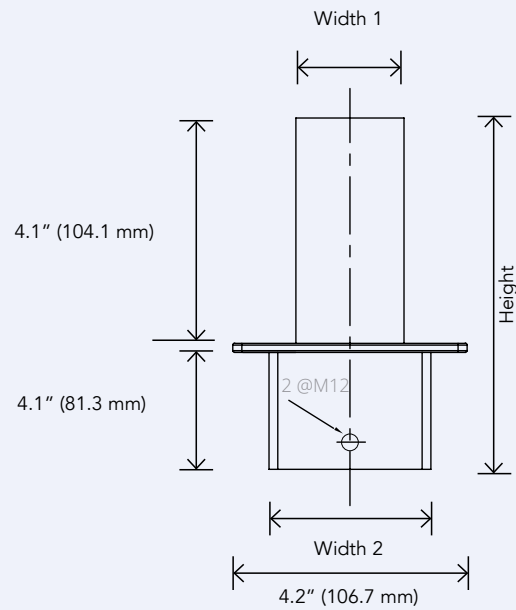
R59309  
RENO-TAS5  
Tenon Adaptor for 5" SQUARE  
Pole – 4" Tenon

Order#	Model	Description
R59308	RENO-TAS4	Tenon Adaptor for 4" SQUARE Pole – 4" Tenon
R59309	RENO-TAS5	Tenon Adaptor for 5" SQUARE Pole – 4" Tenon

## DIMENSIONS

### TAS4 - 4"

Width 1:	Ø2.4" (Ø61 mm)
Width 2:	3.5" (88.9 mm)
Height:	7.3" (185.4 mm)
Length:	3.5" (88.9 mm)
Weight:	3.5 lbs (88.9 kg)



### TAS4 - 5"

Width 1:	Ø2.4" (Ø61 mm)
Width 2:	4.5" (114.3 mm)
Height:	7.1" (180 mm)
Length:	4.5" (114.3 mm)
Weight:	3.4 lbs (86.4 kg)

