

Date		Project	
Type		Part Number	



ALL-IN-ONE PERFORMANCE LIGHTING

MARQUEE Series

Floating Gimbal

The Marquee Series Floating Gimbal is a high output downlight. Combining a sleek design with a small aperture, this fixture won't compromise the light output. With up to 700 lumens and a CRI of 90, this small downlight provides an outstanding performance that will suit both residential and commercial applications.



PRODUCT FEATURES

- JA8 compliant
- Energystar Certified
- FT6-Rated Cable
- IC-rated and Air-Tight ready and may be in direct contact with insulation
- Compatible with Soffit installations and can be installed in shallow plenum spaces
- Flicker-free 120V forward-phase triac dimming down to 5%
- Operating temperature: -4°F to +104°F (-20°C to +40°C)
- Rated Lifespan: L70 ~50,000 hrs
- 5 year warranty

KEY SPECIFICATIONS

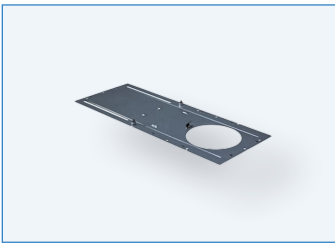
Voltage	120V
Sizes	4"
Wattage	9W
Lumens	700 lm
CCT	27/30/35/40/5000K
Power Factor	>0.9
CRI	>90
Beam Angle	38°
Dimming	120V forward-phase TRIAC Dimming
Mounting	Recessed
Applications	Commercial, Residential, Retail Facilities


 EMERGENCY
 BACKUP READY

SPECIFICATIONS - 4" FLOATING GIMBAL

Order#	Model	Wattage	Voltage	Lumens	Efficacy	CCT	Shape/ Finish
R36106	RENO-LED-4-S9W-FG-5CCTWH	9W	120V	700 lm	78 lm/W	2700/3000 3500/ 4000/5000K	Round/ White
R36107	RENO-LED-4-S9W-FG-5CCT-BK	9W	120V	700 lm	78 lm/W	2700/3000 3500/ 4000/5000K	Round/ Black
R36108	RENO-LED-4-S9W-FG-5CCT-WH-SQ	9W	120V	700 lm	78 lm/W	2700/3000 3500/ 4000/5000K	Square/ White
R36109	RENO-LED-4-S9W-FG-5CCT-BK-SQ	9W	120V	700 lm	78 lm/W	2700/3000 3500/ 4000/5000K	Square/ Black

ACCESSORIES – MOUNTING



R39108
RENO-MP4
4" Mounting Plate without clip

Order#	Model	Description
R39108	RENO-MP4	4" Mounting Plate without clip (Opening 108mm)

ACCESSORIES – EMERGENCY LED DRIVERS



R83000
RENO-EM-H08
Emergency LED Driver
(100-347V AC, 50-60Hz, 12W)

Order#	Model	Description
R83000	RENO-EM-H08	Emergency LED Driver (100-347V AC, 50-60Hz, 12W)

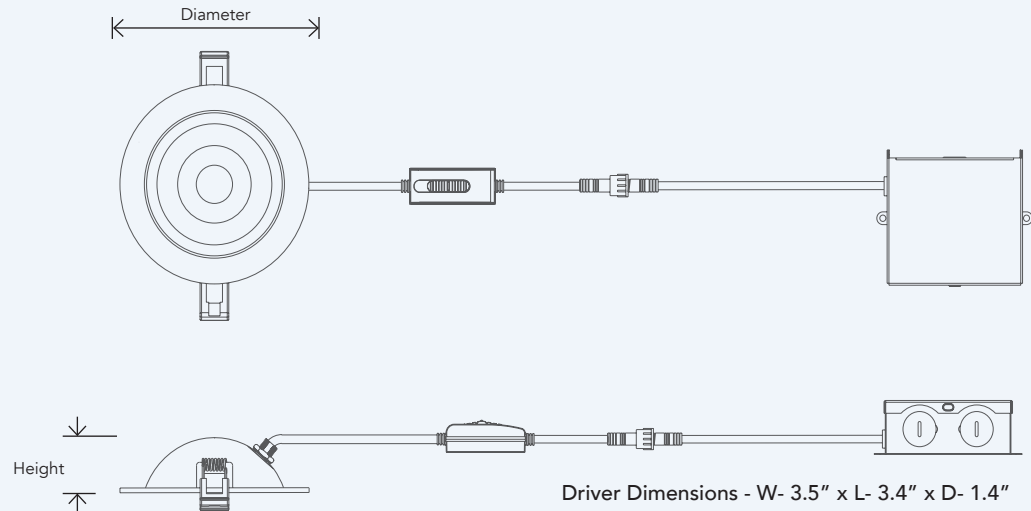
DIMENSIONS

ROUND GIMBAL

Diameter: Ø5" (125 mm)

Height: 1.4" (34.5 mm)

Weight: .97 lbs (0.44 kg)



Driver Dimensions - W- 3.5" x L- 3.4" x D- 1.4"

*NOTE: Width in ceiling needed for the driver to fit is 3" Cut hole size 4-1/4" (108mm)

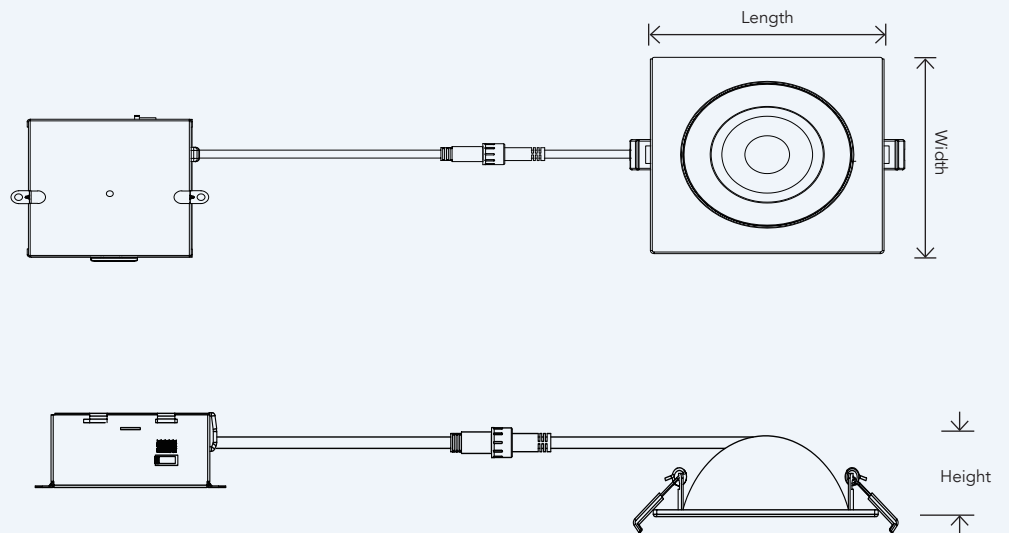
SQUARE GIMBAL

Width: 5" (125 mm)

Length: 5" (125 mm)

Height: 1.5" (36 mm)

Weight: .97 lbs (0.44 kg)



Driver Dimensions - W- 3.5" x L- 4" x D- 1.5"

*NOTE: Width in ceiling needed for the driver to fit is 3" Cut hole size 4-1/4" (108mm)