

| | | | |
|-------------|--|--------------------|--|
| Date | | Project | |
| Type | | Part Number | |

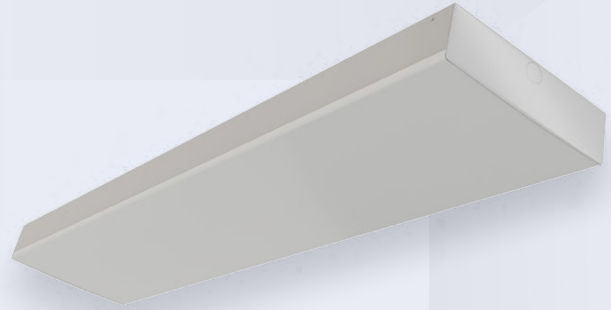


ALL-IN-ONE PERFORMANCE LIGHTING

HELIOS Series

Wrap Around Fixture

The Helios series embraces a minimalist design while providing a wide array of features making this fixture adaptable to any indoor application. Utilize the colour and wattage selections built into the fixture to create the perfect look. Easy to install and built to last, this series is sure to impress.



PRODUCT FEATURES

- Optional integrated sensor model available
- Includes Coverplate and V-Hangers
- Surface or Suspension Mounting options
- Frosted Polycarbonate Lens
- 0-10V Continuous Dimming
- Operating temperature: -22°F to 122°F (-30°C to 50°C)
- Suitable for Damp Locations
- Rated Lifespan: L70 ~100,000 hrs
- 10 year limited warranty


 EMERGENCY
 BACKUP READY

 RENO SMART
 NLC SYSTEM

 STANDALONE
 SENSOR OPTIONS

KEY SPECIFICATIONS

| | |
|---------------------|---------------------------------------------------------|
| Voltage | 120-347V |
| Wattage | Selectable: 2ft - 12/15/18/22W 4ft - 22/28/34/44W |
| Length | 2 & 4ft |
| Power Factor | >0.9 |
| CCT | Selectable: 35/40/5000K |
| CRI | >80 |
| Lumens | Up to 5,038 lm |
| Beam Angle | 120° |
| Dimming | 0-10V |
| Mounting | Surface or Suspension |
| Applications | Commercial, Warehouses, Offices, Retail Facilities |

SPECIFICATIONS – 2FT MULTI POWER (12/15/18/22W)

| Order# | Model | Wattage | Voltage | Lumens | Efficacy | CCT |
|--------|----------------------|---------|----------|----------|----------|-------|
| R38001 | RENO-HWR2-DV-MW-MCCT | 12W | 120-347V | 1,441 lm | 120 lm/W | 3500K |
| | | | | 1,500 lm | 125 lm/W | 4000K |
| | | | | 1,479 lm | 123 lm/W | 5000K |
| | | 15W | 120-347V | 1,734 lm | 116 lm/W | 3500K |
| | | | | 1,813 lm | 120 lm/W | 4000K |
| | | | | 1,772 lm | 118 lm/W | 5000K |
| | | 18W | 120-347V | 2,047 lm | 114 lm/W | 3500K |
| | | | | 2,156 lm | 120 lm/W | 4000K |
| | | | | 2,100 lm | 116 lm/W | 5000K |
| | | 22W | 120-347V | 2,407 lm | 109 lm/W | 3500K |
| | | | | 2,549 lm | 116 lm/W | 4000K |
| | | | | 2,468 lm | 112 lm/W | 5000K |

SPECIFICATIONS – 4FT MULTI POWER (22/28/34/44W)

| Order# | Model | Wattage | Voltage | Lumens | Efficacy | CCT |
|--------|----------------------|---------|----------|----------|----------|-------|
| R38002 | RENO-HWR4-DV-MW-MCCT | 22W | 120-347V | 2,585 lm | 117 lm/W | 3500K |
| | | | | 2,633 lm | 120 lm/W | 4000K |
| | | | | 2,595 lm | 118 lm/W | 5000K |
| | | 28W | 120-347V | 3,259 lm | 116 lm/W | 3500K |
| | | | | 3,346 lm | 120 lm/W | 4000K |
| | | | | 3,275 lm | 117 lm/W | 5000K |
| | | 34W | 120-347V | 4,038 lm | 119 lm/W | 3500K |
| | | | | 4,186 lm | 123 lm/W | 4000K |
| | | | | 4,074 lm | 120 lm/W | 5000K |
| | | 44W | 120-347V | 4,829 lm | 110 lm/W | 3500K |
| | | | | 5,038 lm | 115 lm/W | 4000K |
| | | | | 4,860 lm | 110 lm/W | 5000K |

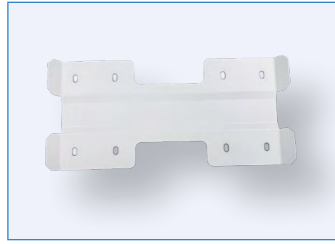
DLC CERTIFICATION

| Order# | Model | Application | DLC Standard | DLC Premium |
|--------|----------------------|----------------------------------|--------------|-------------|
| R38001 | RENO-HWR2-DV-MW-MCCT | Direct Linear Ambient Luminaires | S-ONSG41 | – |
| R38002 | RENO-HWR4-DV-MW-MCCT | Direct Linear Ambient Luminaires | S-ROL12M | – |
| | | Low-Bay Luminaires | S-O3JHN7 | – |

ACCESSORIES – MOUNTING



R39204
RENO-RP
Aircraft Cable for Suspension



R39448
RENO-HWR-CONNECTOR
Ganging Connector for
Traditional Wrap Fixtures
* Sold separately

| Order# | Model | Description |
|--------|--------------------|---------------------------------------|
| R39204 | RENO-RP | Suspension Kit for Fixture Suspension |
| R39448 | RENO-HWR-CONNECTOR | Ganging Connector (Sold Separately) |

ACCESSORIES – EMERGENCY LED DRIVERS



R83004
RENO-EM-C08
Emergency LED Driver
(100-347V AC, 50-60Hz, 8W)

| Order# | Model | Description |
|--------|-------------|------------------------------------------------------------------------|
| R83004 | RENO-EM-C08 | Internal Mount Emergency Driver, 8W Output, ≥90 Minutes Operating Time |

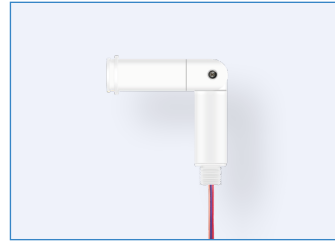
ACCESSORIES – STANDALONE SENSOR & REMOTES



R74002
RENO-SENSOR-PIR-H-EX
PIR Sensor for Heights up to 39ft



R72003
RENO-SENSOR-PIR-H-ON/OFF
PIR Sensor for Heights up to 39ft



R75103
RENO-RS-JK-AD-CORD-L
Adjustable 3.5mm Jack to Hardwire " L " Angle Adaptor



R74004
RENO-SENSOR-PIR3.5-PH15M
Long Detection Range PIR Sensor



R73002
RENO-REMOTE-H
Remote Control for Standalone Sensors (With Screen)



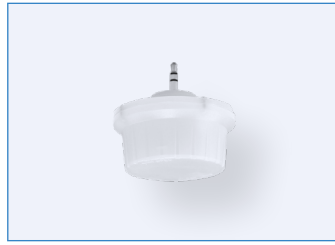
R73005
RENO-REMOTE-H-ECO
Remote Control for Standalone Sensors (Without Screen)

| Order# | Model | Description |
|--------|--------------------------|-------------------------------------------------------------------------------------------|
| R74002 | RENO-SENSOR-PIR-H-EX | PIR Sensor for Heights up to 39ft |
| R72003 | RENO-SENSOR-PIR-H-ON/OFF | PIR Sensor for Heights up to 39ft |
| R75103 | RENO-RS-JK-AD-CORD-L | Adjustable 3.5mm Jack to Hardwire " L " Angle Adaptor |
| R74004 | RENO-SENSOR-PIR3.5-PH15M | Long Detection Range PIR Sensor for Heights up to 50ft |
| R73002 | RENO-REMOTE-H | Remote Control for Standalone Sensors (With Screen) Note: Only 1 needed per project |
| R73005 | RENO-REMOTE-H-ECO | Remote Control for Standalone Sensors (Without Screen) Note: Only 1 needed per project |

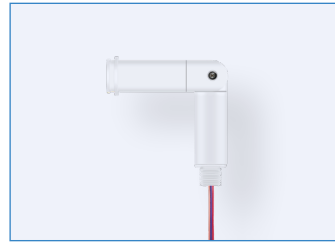
ACCESSORIES – RENO SMART NLC SENSORS



R75001
RENO-RS-JK-BPDN-12V
Bluetooth 3.5mm Jack PIR
Sensor



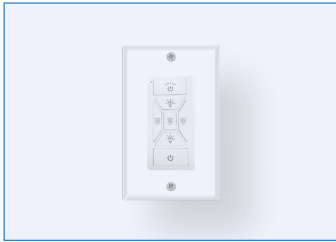
R75002
RENO-RS-JK-BMWM-12V
Bluetooth 3.5mm Jack
Microwave Sensor



R75103*
RENO-RS-JK-AD-CORD-L
Hardwire Adjustable "L" Angle
Adaptor for 3.5mm Jack Sensors



R75201
RENO-RS-GW-BCNW
Ceiling Mounted Gateway



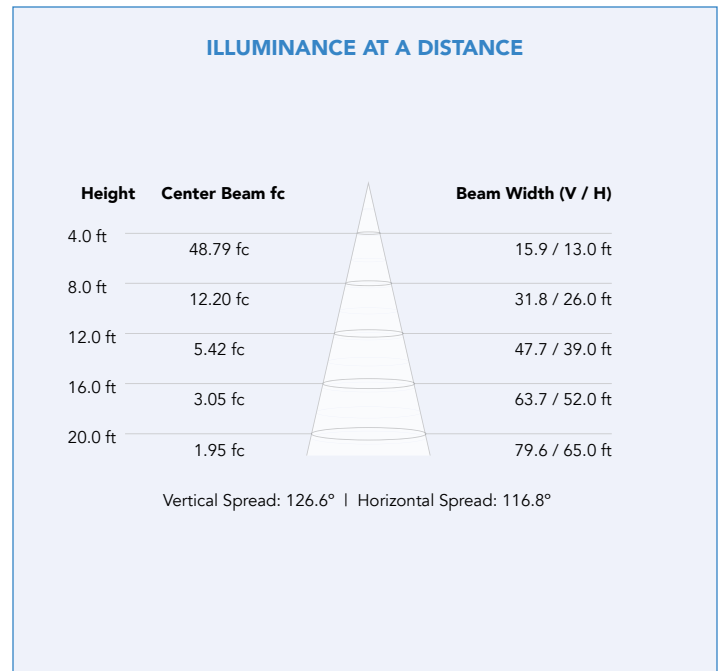
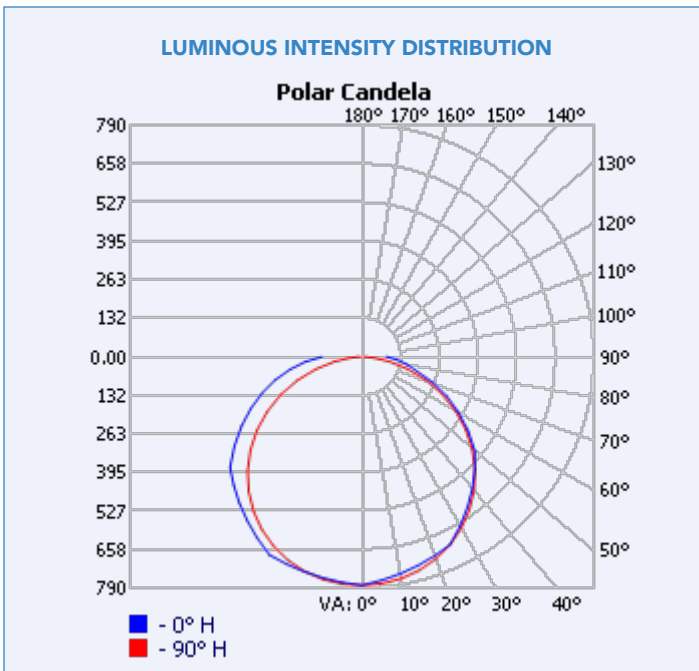
R75302
RENO-RS-RC-BNNG
7-Key Smart Wall Switch



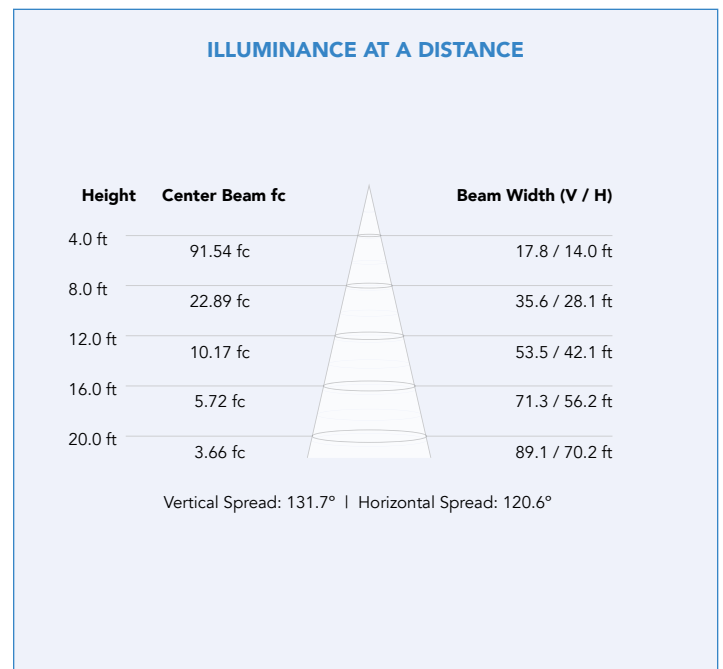
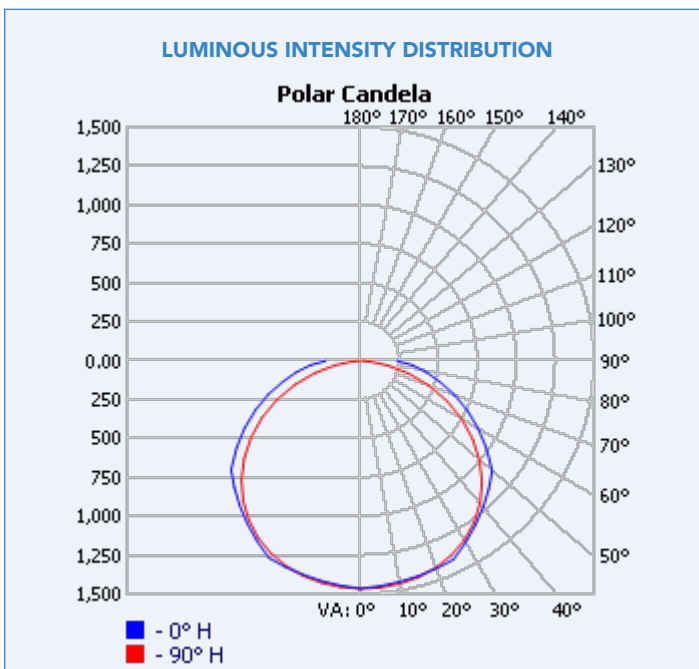
R75301
RENO-RS-RC-BNNN
5-Key Reset Remote

| Order# | Model | Description |
|---------|----------------------|---------------------------------------------------------------------------------------|
| R75001 | RENO-RS-JK-BPDN-12V | Bluetooth 3.5mm Jack PIR Sensor for RENO Smart NLC System (*Requires R75103) |
| R75002 | RENO-RS-JK-BMWM-12V | Bluetooth 3.5mm Jack Microwave Sensor for RENO Smart NLC System (*Requires R75103) |
| R75103* | RENO-RS-JK-AD-CORD-L | Hardwire Adjustable "L" Angle Adaptor for 3.5mm Jack Sensors |
| R75201 | RENO-RS-GW-BCNW | Ceiling Mounted Gateway for RENO Smart NLC System |
| R75302 | RENO-RS-RC-BNNG | 7-Key Smart Wall Switch for RENO Smart NLC System |
| R75301 | RENO-RS-RC-BNNN | 5-Key Reset Remote |

PHOTOMETRICS - 2FT 22W/4K

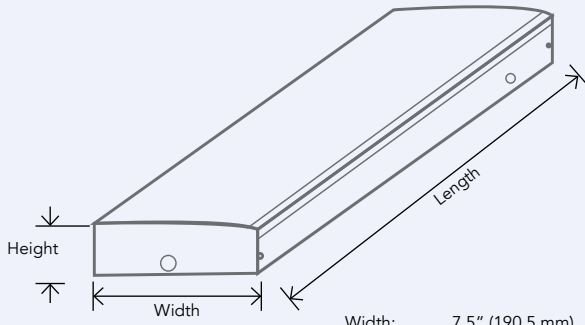


PHOTOMETRICS - 4FT 44W/4K



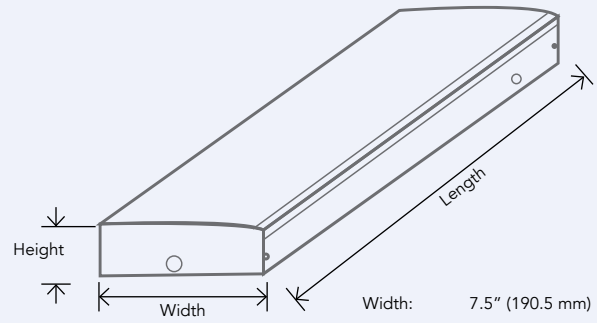
DIMENSIONS

2FT



Width: 7.5" (190.5 mm)
 Height: 3.0" (76.2 mm)
 Length: 24.5" (622.3 mm)
 Weight: 2 lbs (0.91 kg)

4FT



Width: 7.5" (190.5 mm)
 Height: 3.0" (76.2 mm)
 Length: 49" (1244.6 mm)
 Weight: 3 lbs (1.36 kg)