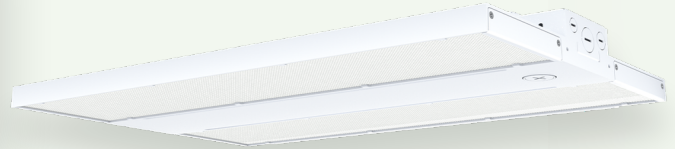


Date		Project	
Type		Part Number	

APEX Series

Linear Highbay

The APEX Series Linear Highbay offers exceptional lighting performance with a glare-free polycarbonate lens, ensuring optimal visibility without discomfort. Featuring a quick, tool-free field-changeable lens, it provides versatility for easy maintenance and customization. Choose from additional beam angles of 45°, 65°, or 110° to suit your specific lighting needs, making it a perfect solution for a wide range of applications.



PRODUCT FEATURES

- Die-cast aluminum housing with powder-coated white finish
- Durable polycarbonate lens
- Quick, tool-free field-changeable lens (40°x90°, 65°x65°, and 110°x110° options)
- Built-in 10kVA surge protection
- Fixture-mounted, emergency backup junction box available
- Includes white 10ft power cord
- Shipped with V-Hooks & 6ft Chain
- Sensor-ready design, compatible with 3.5mm Standalone or RENO Smart Bluetooth Sensors
- Operating temperature: -40°F to +131°F (-40°C to +55°C)
- Rated Lifespan: L70 ~100,000 hrs
- 5 year warranty

KEY SPECIFICATIONS

Voltage	120-347V
Wattage	Selectable: R1 - 80/100/120W R2 - 120/140/165W R3 - 180/200/230W R4 - 260/280/320W
Efficacy	Up to 162 lm/W
Lumens	Up to 48,640 lm
CCT	Selectable: 35/40/5000K
CRI	>80
Beam Angle	90° Included Swappable lens options: 45°x 90° 65°x 65° 110°x 110°
Dimming	0-10V
Power Factor	>0.9
THD	<20%
Mounting	Suspended: V-Hooks and Chain (Included) Surface & Pendant (Optional)
Applications	Commercial, Industrial, Warehouse

SPECIFICATIONS R1 (80/100/120W)

Order#	Model	Wattage	Voltage	Lumens	Efficacy	CCT
R34141	RENO-LHB-DV-MW-MCCT-R1-ECO	80W	120-347V	11,920 lm	149 lm/W	3500K
				12,480 lm	156 lm/W	4000K
				12,240 lm	153 lm/W	5000K
		100W	120-347V	14,600 lm	146 lm/W	3500K
				15,500 lm	155 lm/W	4000K
				15,000 lm	150 lm/W	5000K
		120W	120-347V	17,280 lm	144 lm/W	3500K
				18,360 lm	153 lm/W	4000K
				17,520 lm	146 lm/W	5000K

SPECIFICATIONS R2 (120/140/165W)

Order#	Model	Wattage	Voltage	Lumens	Efficacy	CCT
R34142	RENO-LHB-DV-MW-MCCT-R2-ECO	120W	120-347V	18,600 lm	155 lm/W	3500K
				19,440 lm	162 lm/W	4000K
				18,720 lm	156 lm/W	5000K
		140W	120-347V	21,280 lm	152 lm/W	3500K
				22,400 lm	160 lm/W	4000K
				21,420 lm	153 lm/W	5000K
		165W	120-347V	24,585 lm	149 lm/W	3500K
				26,235 lm	159 lm/W	4000K
				24,915 lm	151 lm/W	5000K

SPECIFICATIONS R3 (180/200/230W)

Order#	Model	Wattage	Voltage	Lumens	Efficacy	CCT
R34143	RENO-LHB-DV-MW-MCCT-R3-ECO	180W	120-347V	27,000 lm	150 lm/W	3500K
				28,620 lm	159 lm/W	4000K
				27,540 lm	153 lm/W	5000K
		200W	120-347V	29,400 lm	147 lm/W	3500K
				31,600 lm	158 lm/W	4000K
				30,200 lm	151 lm/W	5000K
		230W	120-347V	33,120 lm	144 lm/W	3500K
				35,880 lm	156 lm/W	4000K
				34,500 lm	150 lm/W	5000K

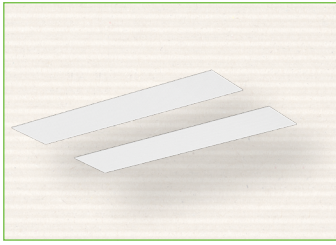
SPECIFICATIONS R4 (260/280/320W)

Order#	Model	Wattage	Voltage	Lumens	Efficacy	CCT
R34144	RENO-LHB-DV-MW-MCCT-R4-ECO	260W	120-347V	37,440 lm	144 lm/W	3500K
				40,300 lm	155 lm/W	4000K
				38,480 lm	148 lm/W	5000K
		280W	120-347V	39,760 lm	142 lm/W	3500K
				43,120 lm	154 lm/W	4000K
				40,880 lm	146 lm/W	5000K
		320W	120-347V	44,480 lm	139 lm/W	3500K
				48,640 lm	152 lm/W	4000K
				47,040 lm	147 lm/W	5000K

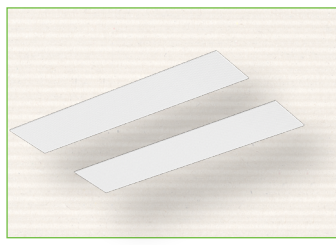
DLC INFORMATION

Model	Application	Standard	Premium
RENO-LHB-DV-MW-MCCT-R1-ECO	High-Bay Luminaires	–	S-ZW27WB
RENO-LHB-DV-MW-MCCT-R2-ECO	High-Bay Luminaires	–	S-9TQW16
RENO-LHB-DV-MW-MCCT-R3-ECO	High-Bay Luminaires	–	S-YC82FL
RENO-LHB-DV-MW-MCCT-R4-ECO	High-Bay Luminaires	–	S-Y4P1C8

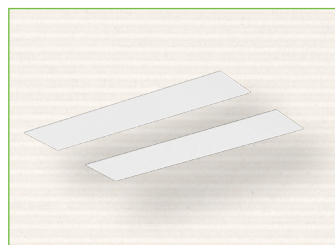
ACCESSORIES - INTERCHANGEABLE LENS



R39334/R39335/R39336
45°x 90° Lens for R1/R2/R3/R4
Highbay 2pcs/set



R39337/R39338/R39339
65°x 65° Lens for R1/R2/R3/R4
Highbay 2pcs/set



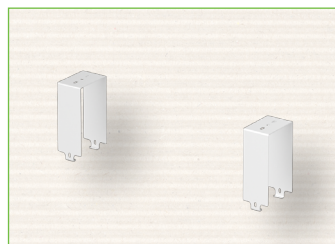
R39340/R39341/R39342
110°x 110° Lens for R1/R2/R3/R4
Highbay 2pcs/set

Order#	Model	Description
R39334	RENO-LHB-LENS-45D-R1	45°x 90° Field-Interchangeable Lens for R1 Highbay 2pcs/set
R39335	RENO-LHB-LENS-45D-R2	45°x 90° Field-Interchangeable Lens for R2 Highbay 2pcs/set
R39336	RENO-LHB-LENS-45D-R3/R4	45°x 90° Field-Interchangeable Lens for R3/R4 Highbay 2pcs/set
R39337	RENO-LHB-LENS-65D-R1	65°x 65° Field-Interchangeable Lens for R1 Highbay 2pcs/set
R39338	RENO-LHB-LENS-65D-R2	65°x 65° Field-Interchangeable Lens for R2 Highbay 2pcs/set
R39339	RENO-LHB-LENS-65D-R3/R4	65°x 65° Field-Interchangeable Lens for R3/R4 Highbay 2pcs/set
R39340	RENO-LHB-LENS-110D-R1	110°x 110° Field-Interchangeable Lens for R1 Highbay 2pcs/set
R39341	RENO-LHB-LENS-110D-R2	110°x 110° Field-Interchangeable Lens for R2 Highbay 2pcs/set
R39342	RENO-LHB-LENS-110D-R3/R4	110°x 110° Field-Interchangeable Lens for R3/R4 Highbay 2pcs/set

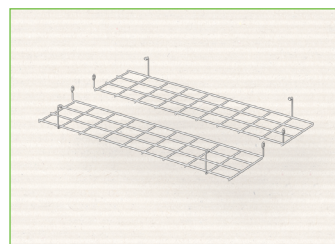
ACCESSORIES - MOUNTING & PROTECTION



R39343
RENO-LHB-PM
Pendant Mount Kit



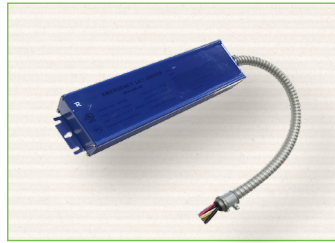
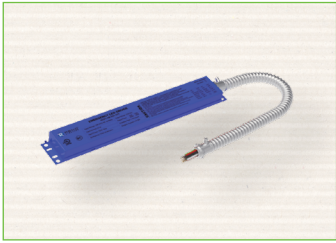
R39344
RENO-LHB-SM
Surface Mount Kit



R39331/R39332/R39333
Wire Guard for R1/R2/R3/R4
Highbay

Order#	Model	Description
R39343	RENO-LHB-PM	Pendant Mount Kit
R39344	RENO-LHB-SM	Surface Mount Kit
R39331	RENO-LHB-WG-ECO-R1	Wire Guard for R1 Highbay
R39332	RENO-LHB-WG-ECO-R2	Wire Guard for R2 Highbay
R39333	RENO-LHB-WG-ECO-R3	Wire Guard for R3/R4 Highbay

ACCESSORIES - EMERGENCY DRIVERS

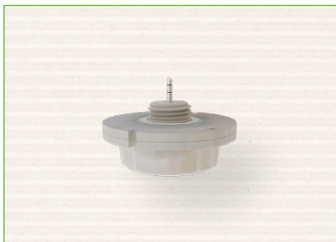


R83002
RENO-EM-H25
Emergency LED Driver
(100-347V AC, 50-60Hz, 25W)

R83003
RENO-EM-H40 (with test switch)
Emergency LED Driver
(100-347V AC, 50-60Hz, 40W)

Order#	Model	Description
R83002	RENO-EM-H25	External Mount Emergency Driver, 25W Output, ≥90 Minutes Operating Time
R83003	RENO-EM-H40	External Mount Emergency Driver, 40W Output, ≥90 Minutes Operating Time
R83012	RENO-LHB-EM-40W	Fixture-Mounted Junction Box for Emergency Battery

ACCESSORIES – STANDALONE SENSOR & REMOTES



R71002
RENO-SENSOR-MW-H
Bi-level Dimming Sensor

R74004
RENO-SENSOR-PIR3.5-PH15M
Long Detection Range PIR
Sensor

R73002
RENO-REMOTE-H
Remote Control for Standalone
Sensors (With Screen)

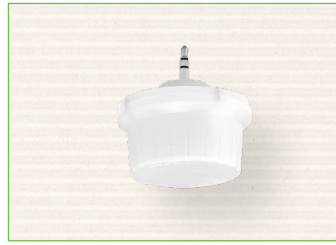
R73005
RENO-REMOTE-H-ECO
Remote Control for Standalone
Sensors (without screen)

Order#	Model	Description
R71002	RENO-SENSOR-MW-H	Bi-level Microwave Sensor
R74004	RENO-SENSOR-PIR3.5-PH15M	Long Detection Range PIR Sensor
R73002	RENO-REMOTE-H	Remote Control for Standalone Sensors (With Screen) Note: Only 1 needed per project
R73005	RENO-REMOTE-H-ECO	Remote Control for Standalone Sensors (Without Screen) Note: Only 1 needed per project

ACCESSORIES – RENO SMART NLC SENSORS



R75001
RENO-RS-JK-BPDN-12V
Bluetooth 3.5mm Jack PIR
Sensor



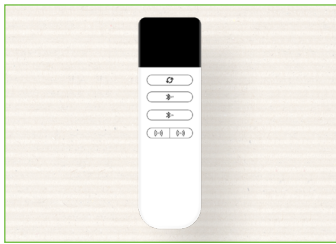
R75002
RENO-RS-JK-BMWM-12V
Bluetooth 3.5mm Jack
Microwave Sensor



R75201
RENO-RS-GW-BCNW
Ceiling Mounted Gateway



R75302
RENO-RS-RC-BNNG
7-Key Smart Wall Switch



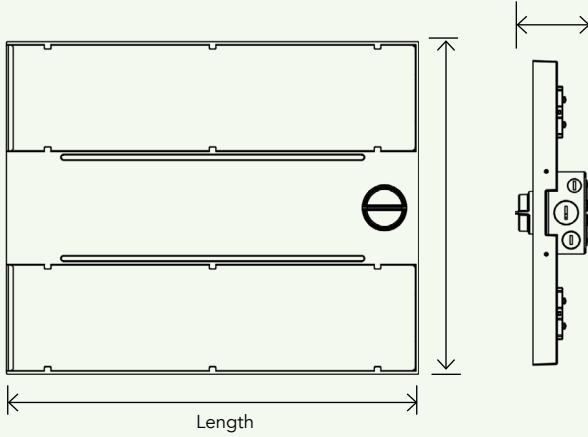
R75301
RENO-RS-RC-BNNG
5-Key Reset Remote Controller

Order#	Model	Description
R75001	RENO-RS-JK-BPDN-12V	Bluetooth 3.5mm Jack PIR Sensor for RENO Smart NLC System
R75002	RENO-RS-JK-BMWM-12V	Bluetooth 3.5mm Jack Microwave Sensor for RENO Smart NLC System
R75201	RENO-RS-GW-BCNW	Ceiling Mounted Gateway for RENO Smart NLC System
R75302	RENO-RS-RC-BNNG	7-Key Smart Wall Switch for RENO Smart NLC System
R75301	RENO-RS-RC-BNNG	5-Key Reset Remote Controller

****All Reno Smart Sensors are programmed/commissioned using our Reno Smart App**

DIMENSIONS

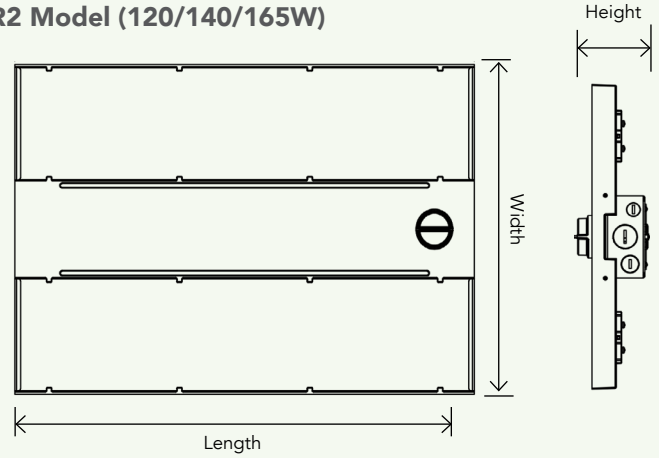
R1 Model (80/100/120W)



Width: 11.02" (280 mm)
 Height: 2.7" (68.65 mm)
 Length: 14.7" (360 mm)

Weight: 5.3 lbs (2.4 kg)

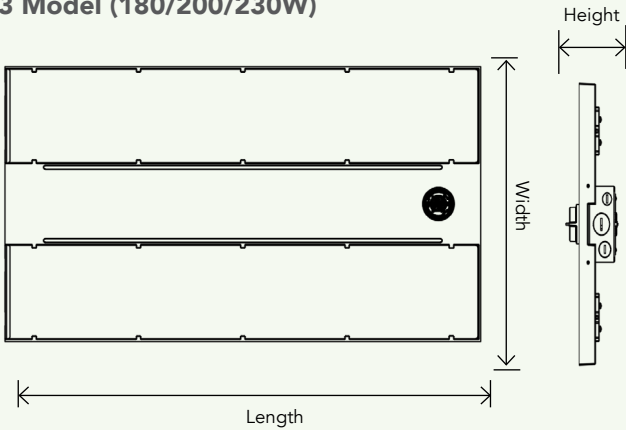
R2 Model (120/140/165W)



Width: 12.6" (320 mm)
 Height: 2.7" (68.65 mm)
 Length: 19.06" (484 mm)

Weight: 7.9 lbs (3.58 kg)

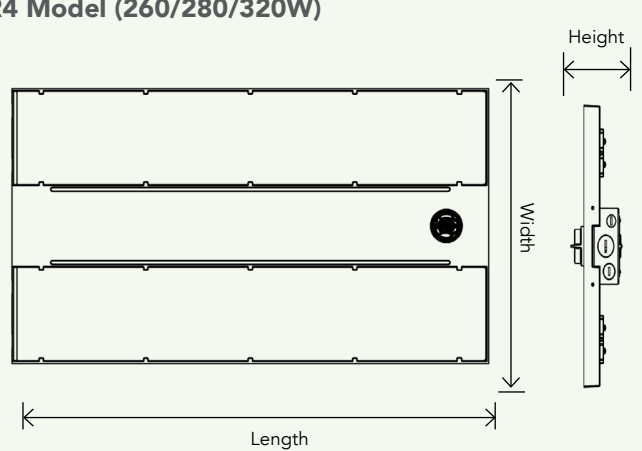
R3 Model (180/200/230W)



Width: 12.6" (320 mm)
 Height: 2.7" (68.65 mm)
 Length: 22.99" (584 mm)

R3 Weight: 9.41 lbs (4.27 kg)

R4 Model (260/280/320W)



Width: 12.6" (320 mm)
 Height: 2.7" (68.65 mm)
 Length: 22.99" (584 mm)

R4 Weight: 15.4 lbs (7 kg)