

Date: _____ Project: _____

Type: _____ Part #: _____



Ops Mini Wall Pack

The OPS Mini Wall Pack delivers a high-performance, energy-efficient lighting solution with a modern, sleek design and sharp, streamlined profile.

Engineered with industry-leading LED chips and drivers, it is designed for quick and easy installation, directly fitting onto existing electrical boxes for seamless replacement of older high-pressure sodium and metal halide wall packs.



Product Features

- Die-cast aluminum body
- Polycarbonate Lens
- Field-adjustable wattages
- Field-adjustable CCT
- Black and white finish options
- Automated Dusk to Dawn photocell functionality
- IP 65
- 2kV Surge Protection
- Operating temp: -30°C to +50°C (-22°F to +122°F)
- Rated Lifetime L70 >50,000 hrs
- 10 Year Limited Warranty

Specifications

| | |
|----------------------------|--|
| Voltage | 120-347V |
| Selectable Wattages | 15/20/30W |
| Selectable CCT | 3000K, 4000K, 5000K |
| THD | < 20% |
| Power Factor | > 0.9 |
| CRI | >80 |
| Lumens | Up to 3900 lm |
| Efficacy | 130 Lm/W @ 3000K |
| Beam Angle | 90° |
| Dimming | 0-10V |
| Mounting | Wall Mounting |
| Applications | Entrance ways, Security lighting, Stairwells, Hallways, Outdoor commercial and residential |

DLC Certification

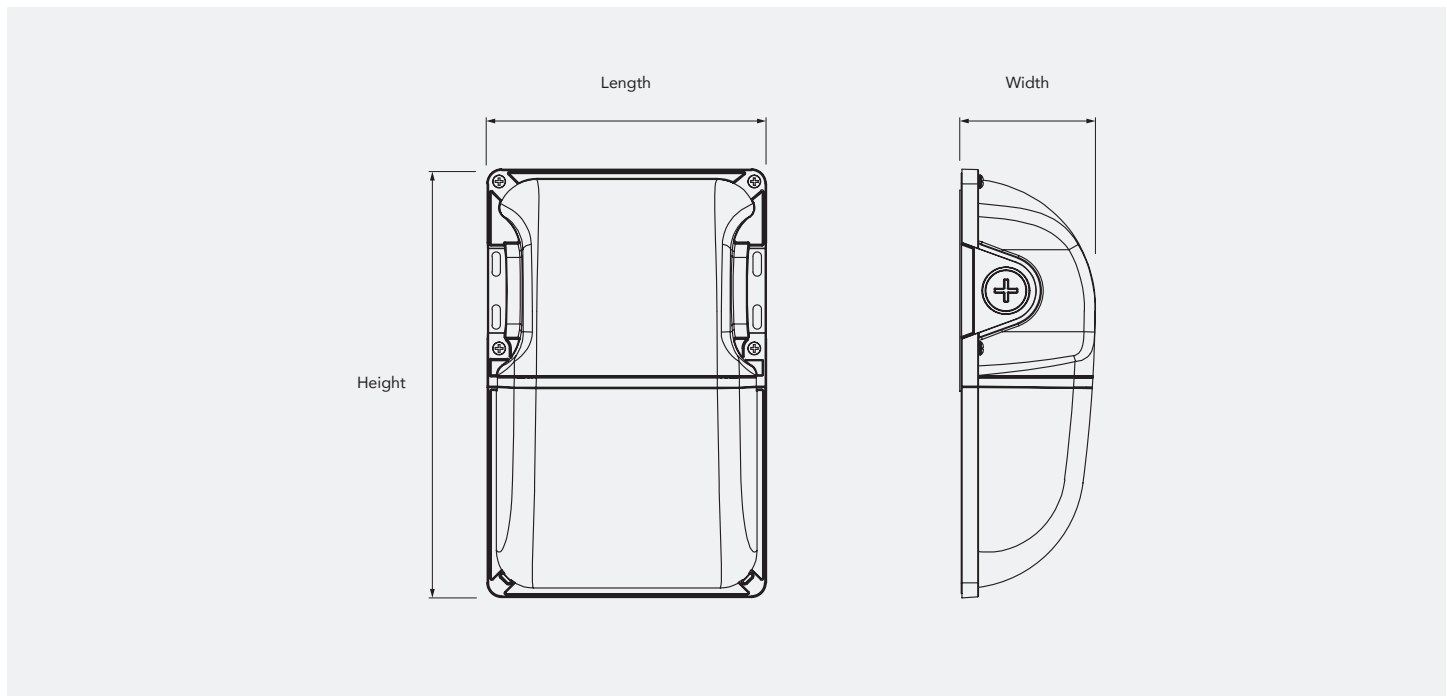
| Model | Application | DLC Standard | DLC Premium |
|-------------------------------|---|--------------|-------------|
| RENO-WP-30W-MW-MCCT-SEN-G2-BK | Outdoor Non-Cutoff and Semi-Cutoff Wall-Mounted Area Luminaires | Pending | – |
| RENO-WP-30W-MW-MCCT-SEN-G2-WH | Outdoor Non-Cutoff and Semi-Cutoff Wall-Mounted Area Luminaires | Pending | – |

Specifications @3000K

| Order # | Finish | Watts | Lm/W | Lumens | CCT |
|---------|--------|-----------|----------|-------------------|-----------------|
| R51019 | Black | 15/20/30W | 130 lm/W | 1950/2600/3900 lm | 3000/4000/5000K |
| R51020 | White | 15/20/30W | 130 lm/W | 1950/2600/3900 lm | 3000/4000/5000K |

Dimensions

Ops Mini Wall Pack



| Order # | Finish | Length | Width | Height | Weight |
|---------|--------|--------------|---------------|--------------|------------------|
| R51019 | Black | 5.9" 150mm | 2.9" 72.8mm | 9.1" 230mm | 0.67 kg 1.48lb |
| R51020 | White | 5.9" 150mm | 2.9" 72.8mm | 9.1" 230mm | 0.67 kg 1.48lb |