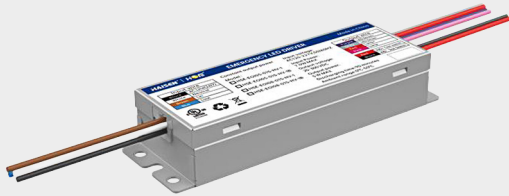


Date: \_\_\_\_\_ Project: \_\_\_\_\_

Type: \_\_\_\_\_ Part #: \_\_\_\_\_

## Emergency Series

### Internal Mount Emergency Driver



The RENO-EM-E08 is a constant-power LED emergency driver designed with a wide output voltage range and high-precision performance to ensure reliable emergency illumination. It features multiple built-in protection systems, including battery overcharge and over-discharge protection, output overload protection, short-circuit protection, open-load protection, and no-load protection for enhanced safety and reliability.



## Product Features

- Constant-power LED emergency driver
- Lithium battery
- Internal mount
- Wide output voltage range with high-precision constant power performance
- Battery overcharge and over-discharge protection
- Output overload and short-circuit protection
- Open-load and no-load protection
- Test button included
- Operating Temp: 32°F - 122°F ( 0°C - 50°C)
- 5 Year Warranty

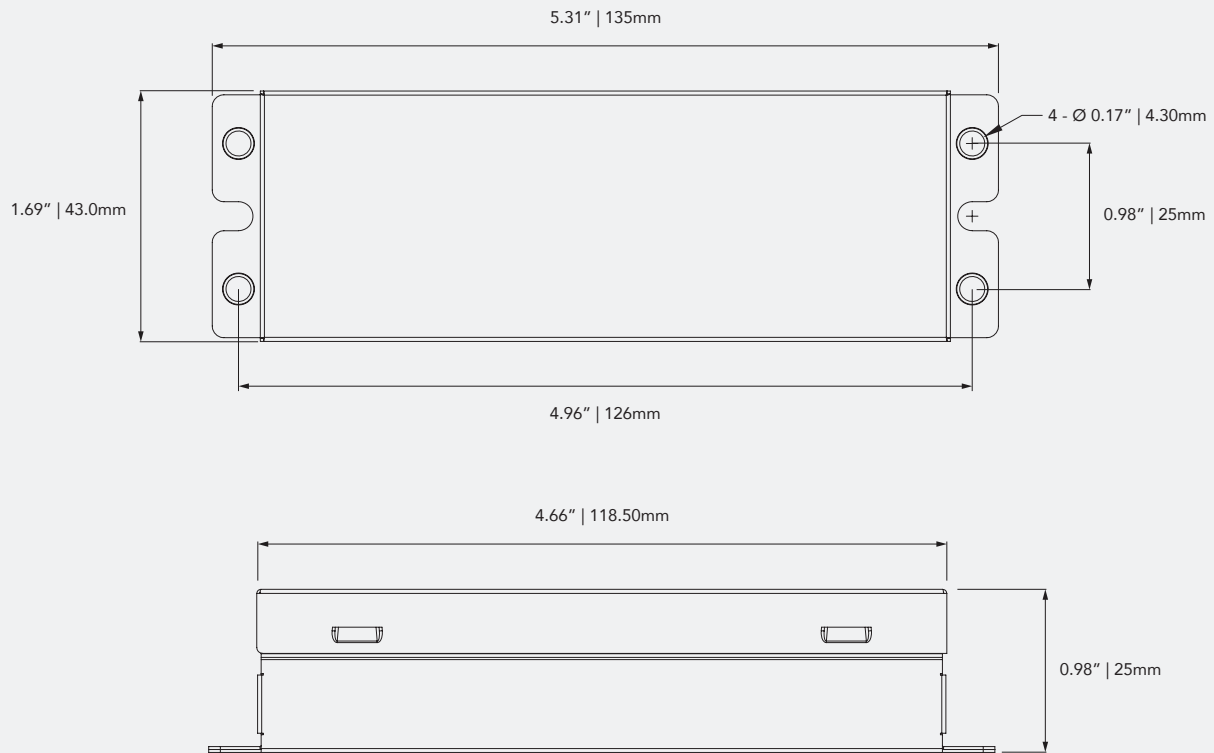
## Specifications

<b>Input Voltage</b>	100-347V AC
<b>Input Power</b>	7W Max
<b>Input Current</b>	0.08A Max
<b>Power Factor</b>	0.6 @120V AC, 0.5@277V AC, 0.4@347V AC
<b>Frequency</b>	50/60 Hz
<b>Battery</b>	7.2V 2600mAh Lithium
<b>Maximum Load</b>	200W
<b>Discharge Time</b>	≥ 90 Minutes
<b>Recharge Time</b>	24 Hours

Order #	Model	Emergency Output Power	Discharge Time	Output Voltage	Recharge Time	Battery Type
<b>R83006</b>	RENO-EM-E08	8W	≥ 90 Minutes	300V DC Max	24 Hours	Lithium

## Dimensions

R83006 | Emergency LED Driver



## Wiring Diagram

R83006 | Emergency LED Driver

