

Date: _____ Project: _____

Type: _____ Part #: _____

Stand Alone Sensors

Photocell & Daylight Harvesting Sensor



This high-precision sensor automatically adjusts lighting levels based on ambient brightness, ensuring optimal illumination while reducing energy consumption. The plug-and-play 3.5mm jack allows for quick and easy installation with compatible LED fixtures.

Ideal for commercial and warehouse lighting applications, this sensor provides seamless daylight harvesting and automated dimming, making it a must-have for lighting solutions.



Product Features

- UL Certified
- IP 65 Wet Location Rated
- Provided automatic dusk-to-dawn operation
- Plug and play installation with a 3.5 mm jack
- Operating temp: -40°C to +70°C (-40°F to +158°F)
- 5 Year Limited Warranty

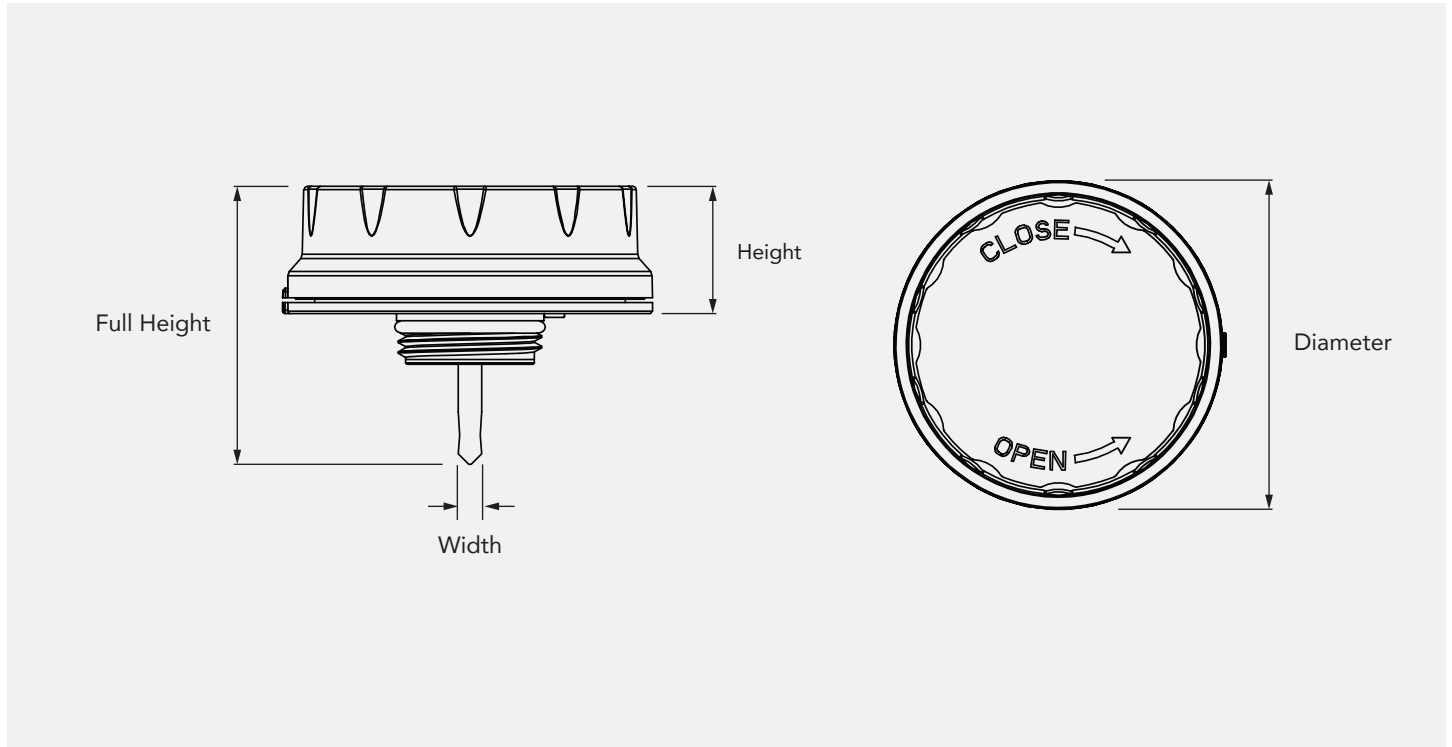
Specifications

Input Voltage	12V DC
Installation	3.5 mm Jack
Applications	Commercial, Warehouse, Retail Facilities

Order #	Model	Input Current	Input Voltage
R72002	RENO-SENSOR-PC-BK	≥30mA	12V DC

Dimensions

R72002 | Photocell Sensor



Model	Full Height	Height	Width	Diameter
R72002	1.62" 41.1 mm	0.74" 18.8 mm	0.14" 3.5 mm	2.13" 53.98 mm