



Installation Manual

Installation for Evoke Models

| Order # | Model # |
|---------------|-----------------------------|
| R34501 | RENO-EVOKE-18-DV-MW-MCCT-WH |
| R34502 | RENO-EVOKE-18-DV-MW-MCCT-BK |
| R34503 | RENO-EVOKE-24-DV-MW-MCCT-WH |
| R34504 | RENO-EVOKE-24-DV-MW-MCCT-BK |
| R34505 | RENO-EVOKE-36-DV-MW-MCCT-WH |
| R34506 | RENO-EVOKE-36-DV-MW-MCCT-BK |

Read instruction manual carefully to ensure proper installation. Please keep this instruction for future use.



WARNING

To avoid the risk of fire, or electric shock this product should be installed, inspected, and maintained by a qualified electrician only. Installation should be completed by an individual familiar with the construction and operation of the luminaire. Installation of luminaire must be in accordance with national and local building and electrical codes.

Safety Warning:

To avoid electric shock:

- Be certain electrical power is OFF before and during installation and maintenance.
- Luminaire must be supplied by a wiring system with an equipment grounding conductor.

To avoid burning hands:

- Make sure lens and housing are cool when performing maintenance.

To avoid product degradation:

- Make sure the wire supply voltage is the same as the luminaire supply
- Use proper supply wiring as specified on the luminaire nameplate.
- Avoid use in environments containing sulfur, chlorine, or other halides, methyl acetate or ethyl acetate, cyanoacrylates, glycol ethers, formaldehyde or butadiene.

Notes:

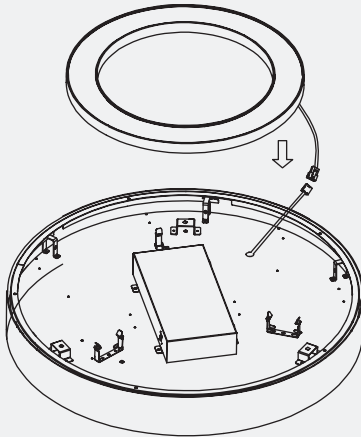
- Instructions do not cover all details and all possible product configurations.
- Do not restrict luminaire ventilation.
- Ensure LED luminaire is not covered with material that will prevent convection or conduction cooling.
- Ensure LED luminaire has the correct polarity before installation
- Avoid exposing wiring to metal edges and sharp objects.

Maintenance

- Perform visual, electrical, and mechanical inspections on a regular basis. The environment and frequency of use should determine this.
- However it is recommended that checks be made at least once a year.
- Check all electrical connections to ensure they are clean and secure. Mechanically verify that all parts are properly assembled.

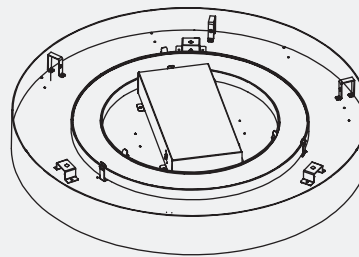
Installation

Indirect/Uplight Modules



A

Attach the quick plug connectors to connect the indirect/upper lighting kit and the fixture.

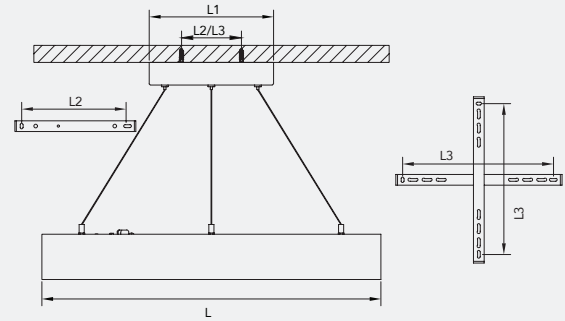
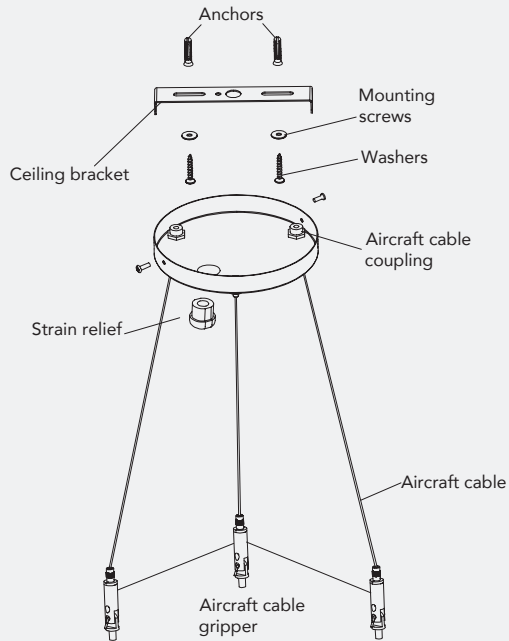


B

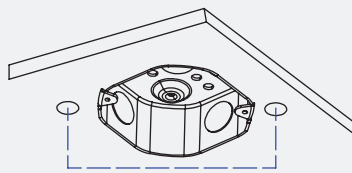
Fix the indirect/upper lighting kit to the fixture, then the installation is complete.

Mounting - Installation

Pendant | Suspension Aircraft Cable

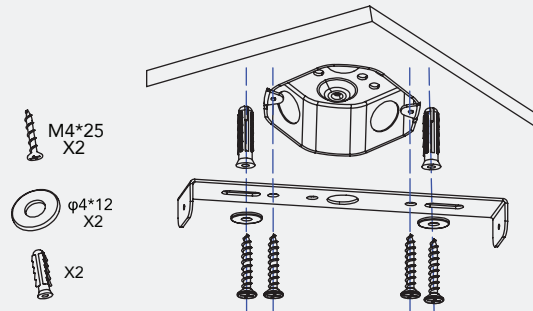


| | Evoke 18" | Evoke 24" | Evoke 36" |
|----|-----------------|-----------------|-----------------|
| L | Ø17.72" 450mm | Ø23.62" 600mm | Ø35.42" 900mm |
| L1 | Ø8.66" Ø220mm | | |
| L2 | 7.38" 187.5mm | | |
| L3 | 1.76" 70mm | | |



A

Drill holes in the ceiling for mounting the ceiling bracket.
Ceiling bracket for model 18/24/36 requires 2 holes. Refer to Table A, L2 for the distance between the holes.

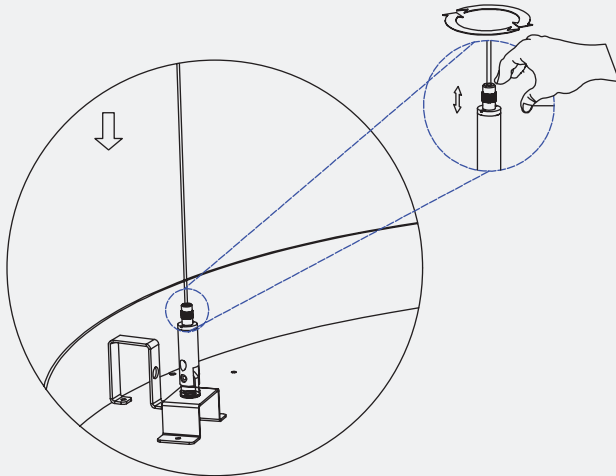


B

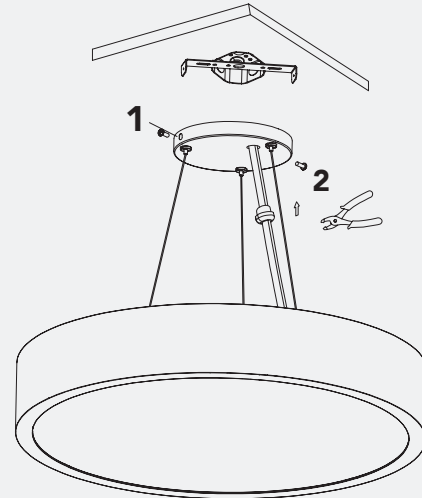
As shown in the picture, use screws to fix the ceiling bracket to the junction box and the ceiling as required.

Mounting - Installation

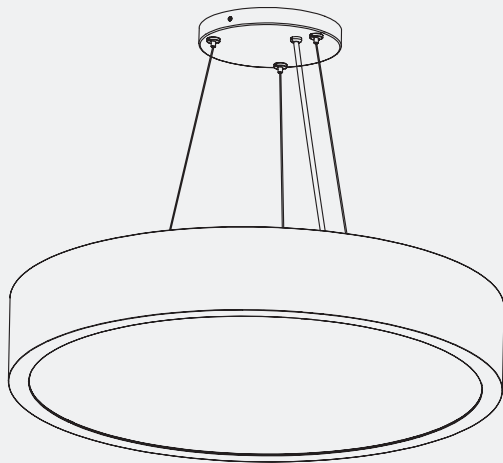
Pendant | Suspension Aircraft Cable - Continued



C
 Loosen the cable tensioner first, press to adjust the suspension cable length, then tighten the cable tensioner.



D
 Make the wiring connections, then adjust the power cable length and properly secure the strain relief. Lock the canopy to ceiling brackets from side with screws.



E
 Installation is complete.

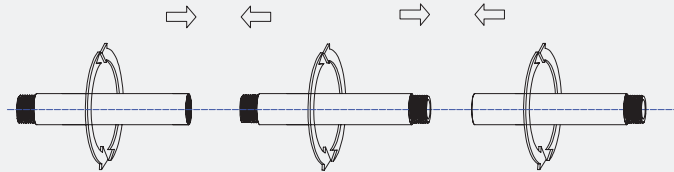
Mounting - Installation

Pendant | Stem/Rod

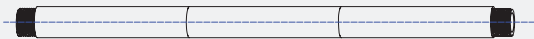
A

Assemble the rod/pole.

1. Rotate the rod counterclockwise to connect the pendant rod sections

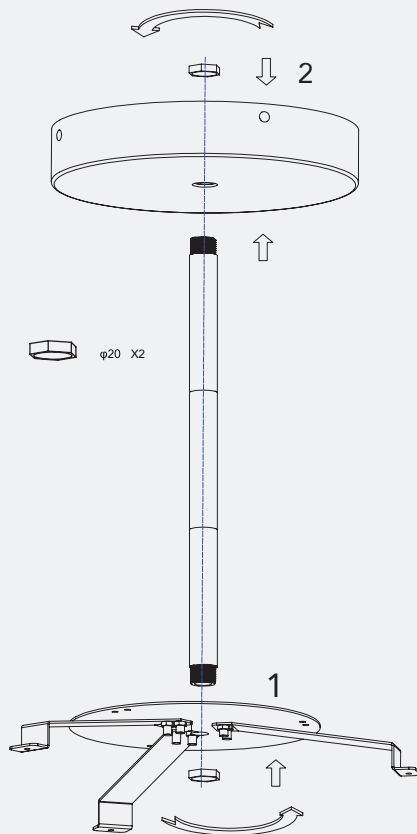


2. Pendant rod assembly is complete



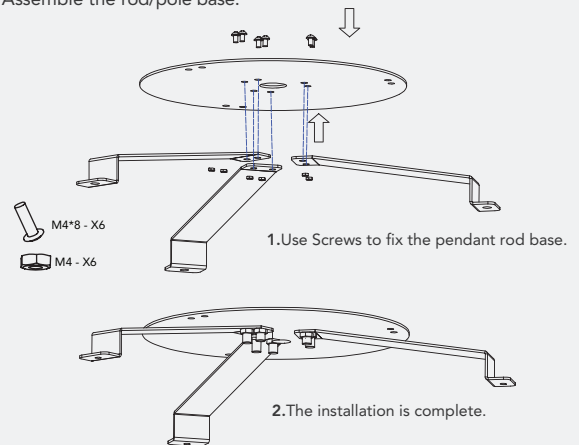
C

Secure the pendant rod to the base and canopy with nuts.



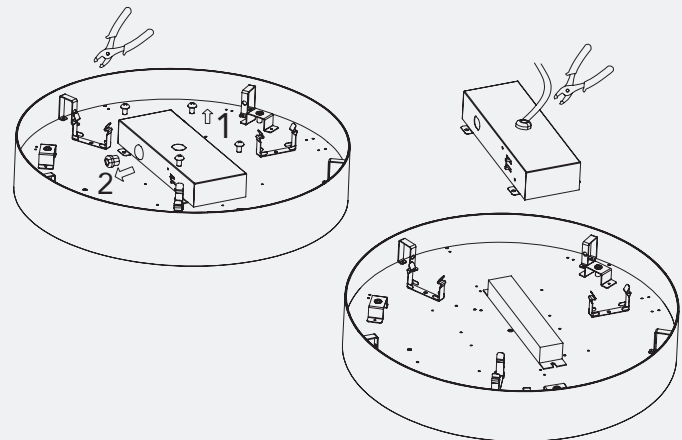
B

Assemble the rod/pole base.



D

Remove the driver box screws and take off the strain relief.



E

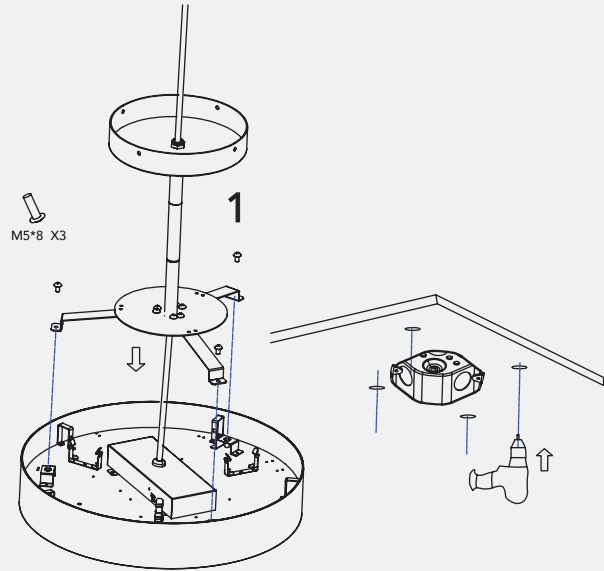
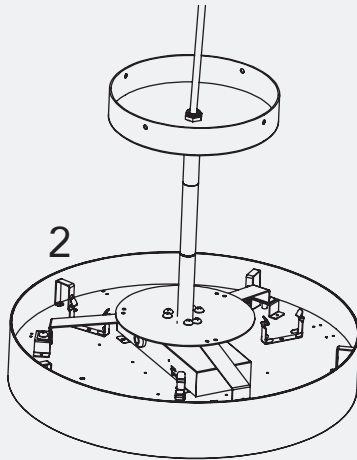
Secure the strain relief onto the top of the driver box.

Mounting - Installation

Pendant | Stem/Rod - Continued

F

Secure the pendant rod assembly to the fixture with screws.

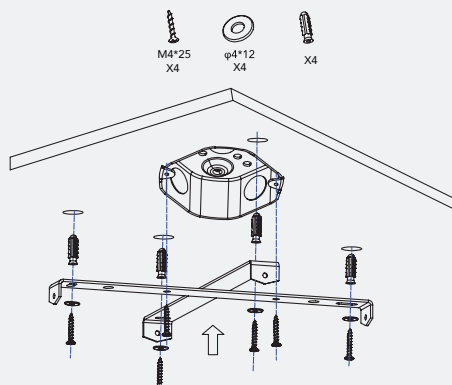


G

Drill holes in the ceiling for mounting the ceiling bracket; ceiling bracket for models 18/24/36" requires 4 holes. Refer to table A, L3 (pg.4) for distance between the holes

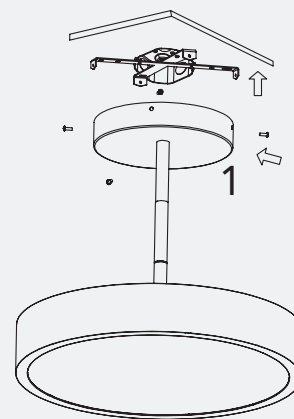
H

As shown in the picture, use screws to fix the ceiling bracket to the junction box and the ceiling as required.



I

Make the wiring connections, then lock the fixture to the ceiling bracket from side with screws

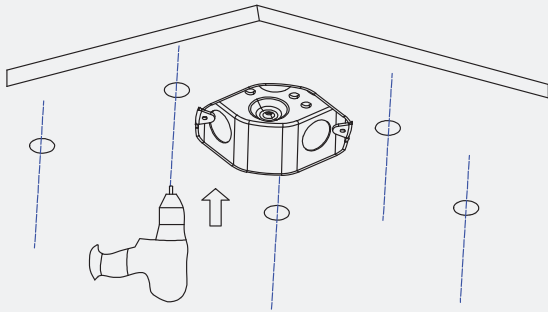


J

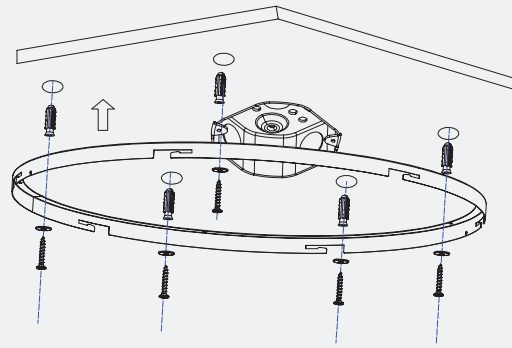
Installation is complete

Installation

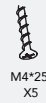
Surface Mount



A
Mark the drilling locations on the ceiling based on the hole positions of the surface-mount frame, then drill the holes accordingly.



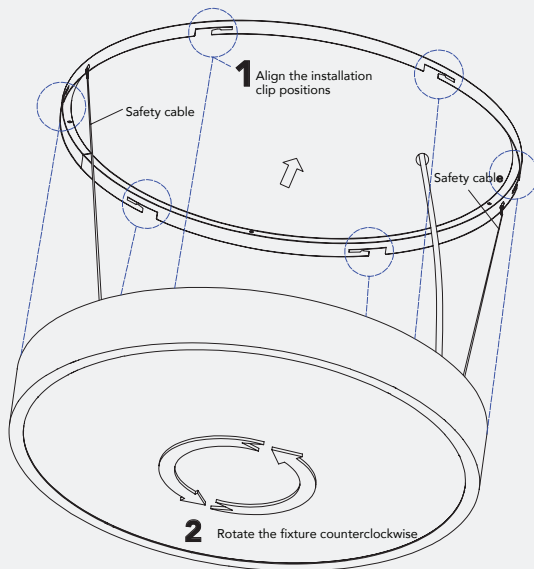
D18"/D24"



D36"



B
Install the surface mount frame with provided screws.



C
Ensure the safety cable is fixed securely, then rotate the fixture counterclockwise to snap it into the surface mount frame.



D
Installation is complete.