

INSTRUCTIONS FOR THE FOLLOWING FIXTURES

ORDER#	MODEL#
R53071	RENO-SB-150W-MW-DV-MCCT-ABA-G3-R1-BK
R53072	RENO-SB-150W-MW-DV-MCCT-ABA-G3-R1-BN
R53073	RENO-SB-150W-MW-DV-MCCT-ABA-G3-R1-WH
R53074	RENO-SB-320W-MW-DV-MCCT-ABA-G3-R2-BK
R53075	RENO-SB-320W-MW-DV-MCCT-ABA-G3-R2-BN
R53076	RENO-SB-320W-MW-DV-MCCT-ABA-G3-R2-WH
R53077	RENO-SB-450W-MW-DV-MCCT-ABA-G3-R3-BK

IMPORTANT

READ CAREFULLY BEFORE INSTALLING FIXTURE. RETAIN THESE INSTRUCTIONS FOR FUTURE REFERENCE.

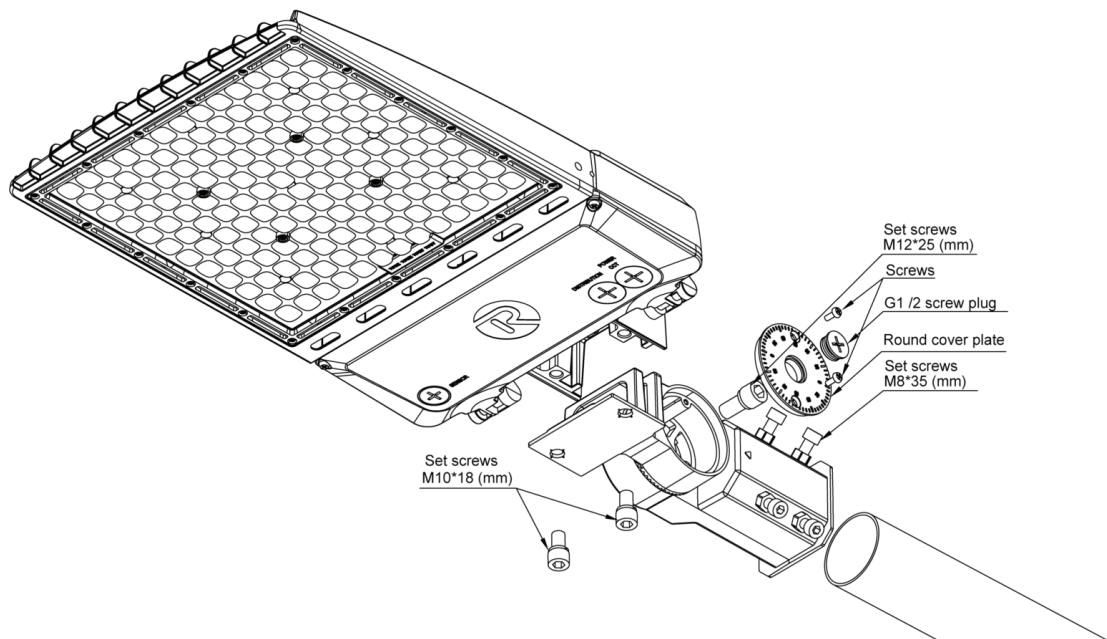
Fixtures must be wired in accordance with the National Electrical Code and all applicable local codes. Proper grounding is required for safety. THIS PRODUCT MUST BE INSTALLED IN ACCORDANCE WITH THE APPLICABLE INSTALLATION CODE BY A PERSON.

FAMILIAR WITH THE CONSTRUCTION AND OPERATION OF THE PRODUCT AND THE HAZARDS INVOLVED.

WARNING: Make certain power is OFF before installing or maintaining fixture. No user serviceable parts inside.

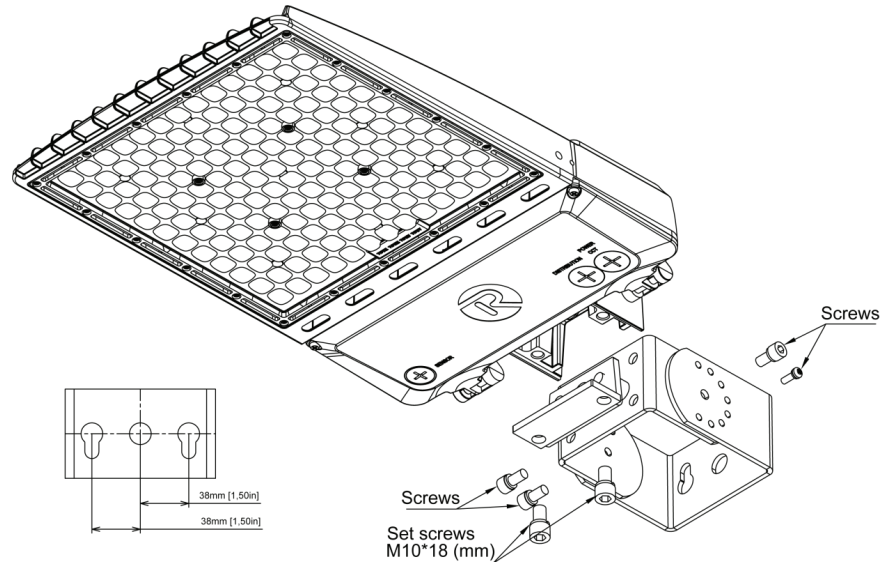
SLIP FITTER MOUNTING

1. Remove two screws on side of round cover plate, and install the slip fitter onto the fixture.
2. Install two screws on side of round cover plate, connect the wires correctly, place the slip fitter over the pole and secure the fixture with the set screws on the side of the slip fitter.
3. Remove the G1/2 screw plug, loosen the locking bolt and swivel fixture to desired angle.
4. Tighten the Locking Bolt and Install the G1/2 screw plug.

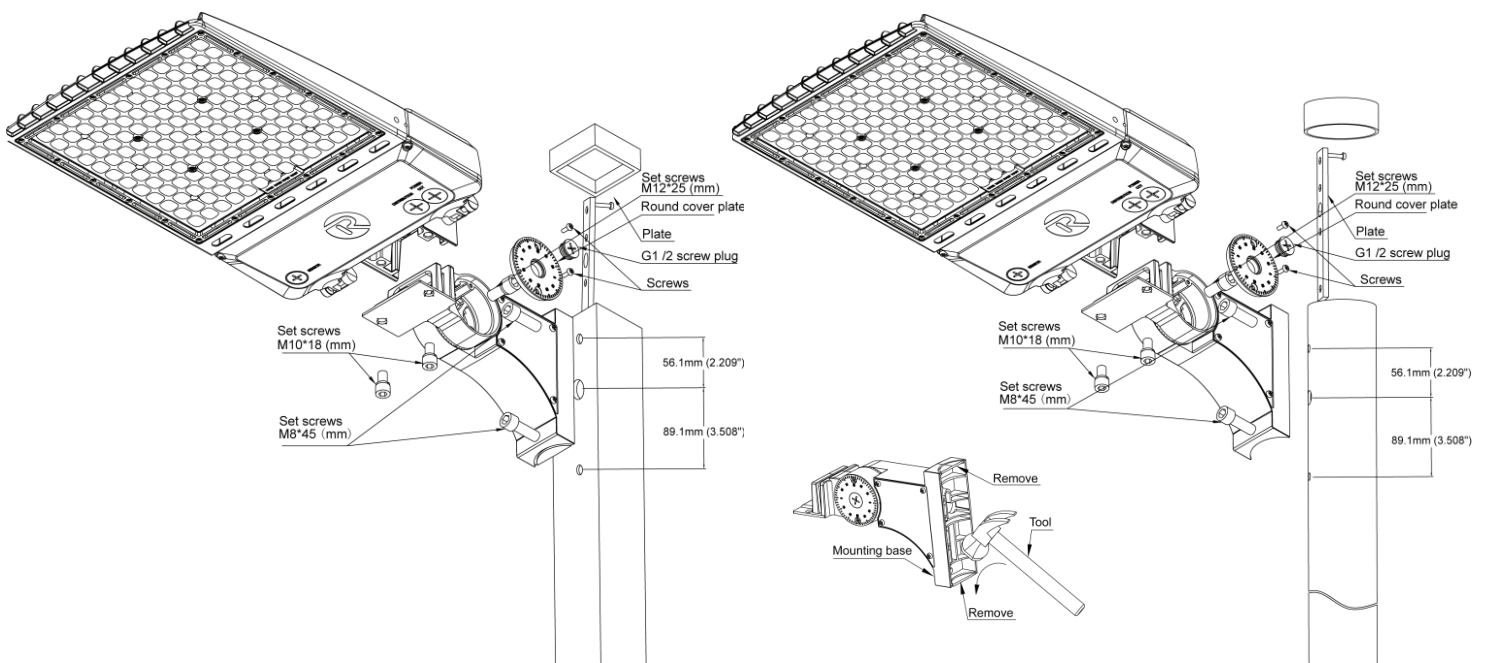


TRUNNION MOUNTING

1. Mount fixture onto surface using the hole pattern provided on the bracket.
2. Install the fixture onto the trunnion.
3. Make wiring connection as per wire diagram below.
4. Loosen center bolts and set screws.
5. Rotate fixture to desired aiming position, tighten center bolts and set screws.



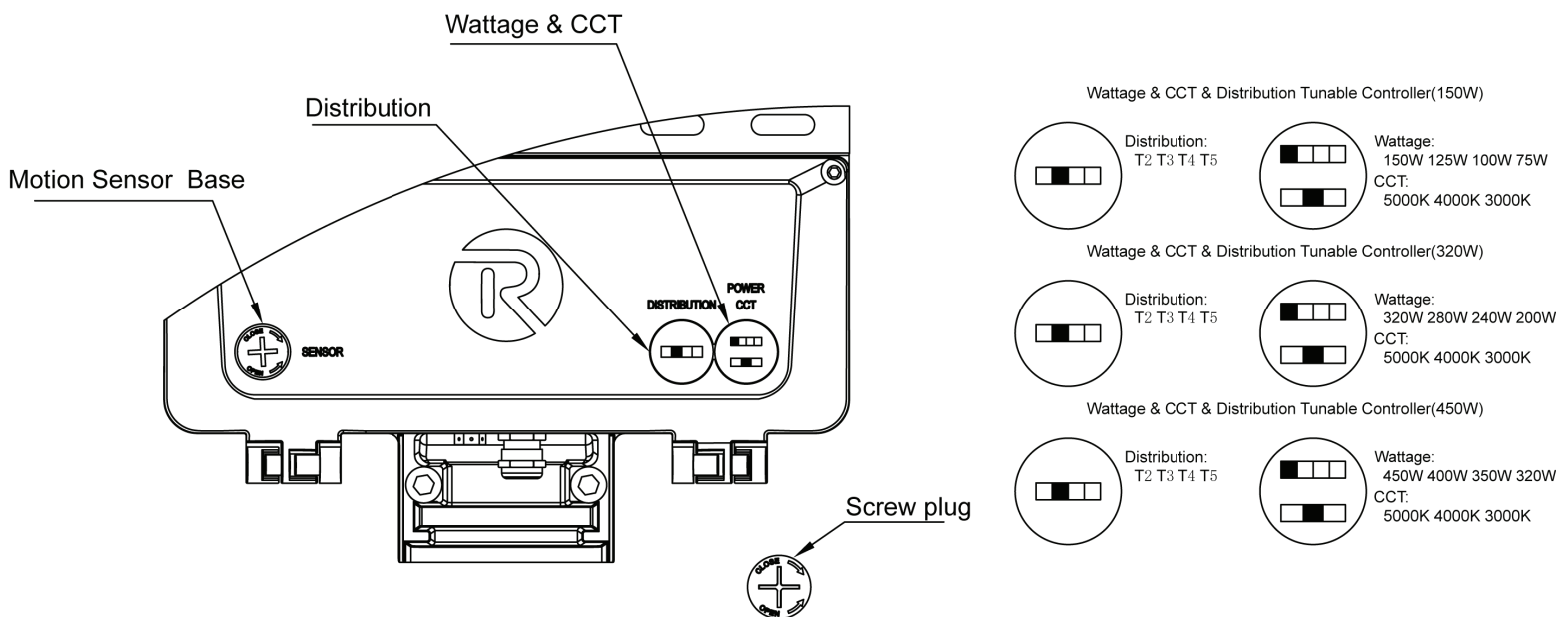
ADJUSTABLE ARM MOUNTING Square / Round Pole Installation:



1. Remove two screws on side of round cover plate, and install the arm onto the fixture.
2. Install two screws on side of round cover plate, and install the arm base on the square pole or round pole (Make the mounting base arc-shaped to fit the round pole).
3. Connect the wires correctly, install the pole waterproof cover,
4. Remove the G1/2 screw plug, loosen the locking bolt and swivel fixture to desired angle. Tighten the Locking Bolt and Install the G1/2 screw plug.

WATTAGE, CCT & DISTRIBUTION ADJUSTABLE SWITCH SETTING

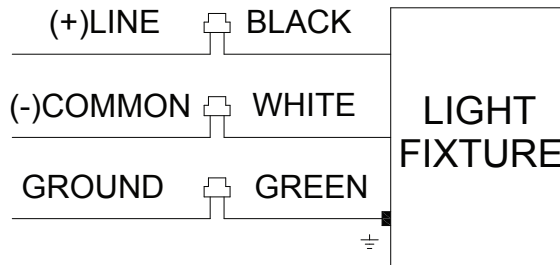
1. Remove the G3/4 screw plug on the bottom of the fixture.
2. Select wattage (white), CCT(black) and Distribution by sliding the respective switch to the desired value according to the figure.
3. Replace the G3/4 screw plug tighten with a flat head screw driver.



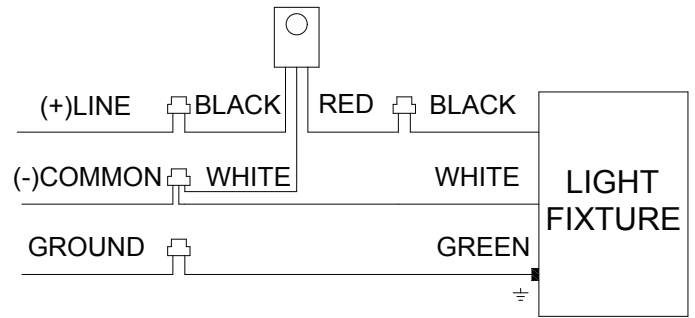
WIRING

WARNING : Before wiring, make certain the input voltage is correct!

1. Connect the black fixture lead to the line supply lead.
2. Connect the white fixture lead to the neutral supply lead.
3. Connect the green wire from fixture to supply ground



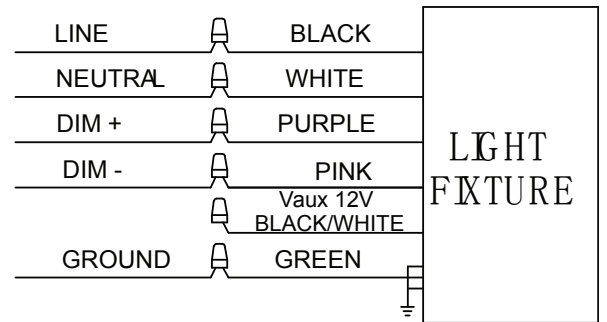
Without photocell



With photocell

0-10V DIMMABLE WIRING

1. Connect the black fixture lead to the line supply lead.
2. Connect the white fixture lead to the neutral supply lead.
3. Connect the green wire from fixture to supply ground.
Do not connect the Supply Ground to the dimming wires (0-10V +/-)
4. Connect the purple fixture lead to the DIM + lead.
5. Connect the pink fixture lead to the DIM - lead.
6. Cap the Vaux 12V fixture lead, if present. Do not connect.



0-10V Dimming

CLEANING&MAINTENANCE

CAUTION: Be sure fixture temperature is cool enough to Touch. Do not clean or maintain while fixture is Energized.

1. Clean lens & fixture with non-abrasive glass cleaning solution.
2. Do not open fixture to clean the LED. Do not touch the LED

TROUBLESHOOTING

1. Check that the line voltage at fixture is correct. Refer to wiring directions.
2. Is the fixture grounded properly?

Note: These instructions do not cover all details or variations in equipment nor do they provide for every possible situation during installation operation or maintenance.