

Date: \_\_\_\_\_ Project: \_\_\_\_\_

Type: \_\_\_\_\_ Part #: \_\_\_\_\_



# Orion

## Beam Adjustable UFO High Bay

UFO high bays are ideal for replacing HID High Bay fixtures, offering high performance and long life. Designed precision spherical and convex lens and offers low brightness, uniform illumination and high efficiency LED platform.

Now enhanced with BeamFlex™ adjustable beam optics. Designed with easy installation of sensors at the face of the fixture.



## Product Features

- DLC Premium Pending
- BeamFlex™ adjustable switch for beam angles (60°/90°/120°)
- Includes 10' cord, ring bolt mounting accessory & safety hanging kit
- With M10 threaded opening
- Mounting options: hook/chain, pendant stem/pole, and surface mounting
- 3.5mm Jack for optional sensor installation
- Powder-Coated die-cast aluminum housing available in black or white finish (R3 is Black only)
- Custom painting is available
- Polycarbonate Lens
- Built-in 6KVA Surge Protection
- IK10 Impact Resistance
- Operating temperature: -40°F to +104°F (-40°C to +40°C)
- Suitable for wet locations IP65 rated
- Rated Lifespan: L70 ~100,000 hrs
- 10 year limited warranty

## Specifications

<b>Voltage</b>	120–347V AC
<b>Selectable Wattage</b>	R1: 80/100/120/160W R2: 120/160/200/250W R3: 250/280/300/320W
<b>Efficacy</b>	Up to 180 lm/W
<b>Lumens</b>	Up to 56,000 lm
<b>Selectable CCT</b>	3500K, 4000K, 5000K
<b>CRI</b>	>70
<b>Selectable Beam Angle</b>	60° / 90° / 120°
<b>Dimming</b>	0-10V
<b>Power Factor</b>	>0.9
<b>Mounting</b>	Surface, Pendant, Suspended
<b>Applications</b>	Commercial, Industrial, Warehouse, Retail Facilities
<b>Certifications</b>	DLC Premium, cETLus, NSF, IP65

## Specifications

Order#	Model#	Voltage	Wattage	Lumens	CCT	Efficacy
R34231	RENO-HBU-160W-DV-MCCT-ABA-R1-BK	120-347V	80/100/120/160W	Up to 28,000 lm	35/40/5000K	Up to 180 lm/W
R34232	RENO-HBU-160W-DV-MCCT-ABA-R1-WH	120-347V	80/100/120/160W	Up to 28,000 lm	35/40/5000K	Up to 180 lm/W
R34233	RENO-HBU-250W-DV-MCCT-ABA-R2-BK	120-347V	120/160/200/250W	Up to 43,750 lm	35/40/5000K	Up to 180 lm/W
R34234	RENO-HBU-250W-DV-MCCT-ABA-R2-WH	120-347V	120/160/200/250W	Up to 43,750 lm	35/40/5000K	Up to 180 lm/W
R34235	RENO-HBU-320W-DV-MCCT-ABA-R3-BK	120-347V	250/280/300/320W	Up to 56,000 lm	35/40/5000K	Up to 180 lm/W

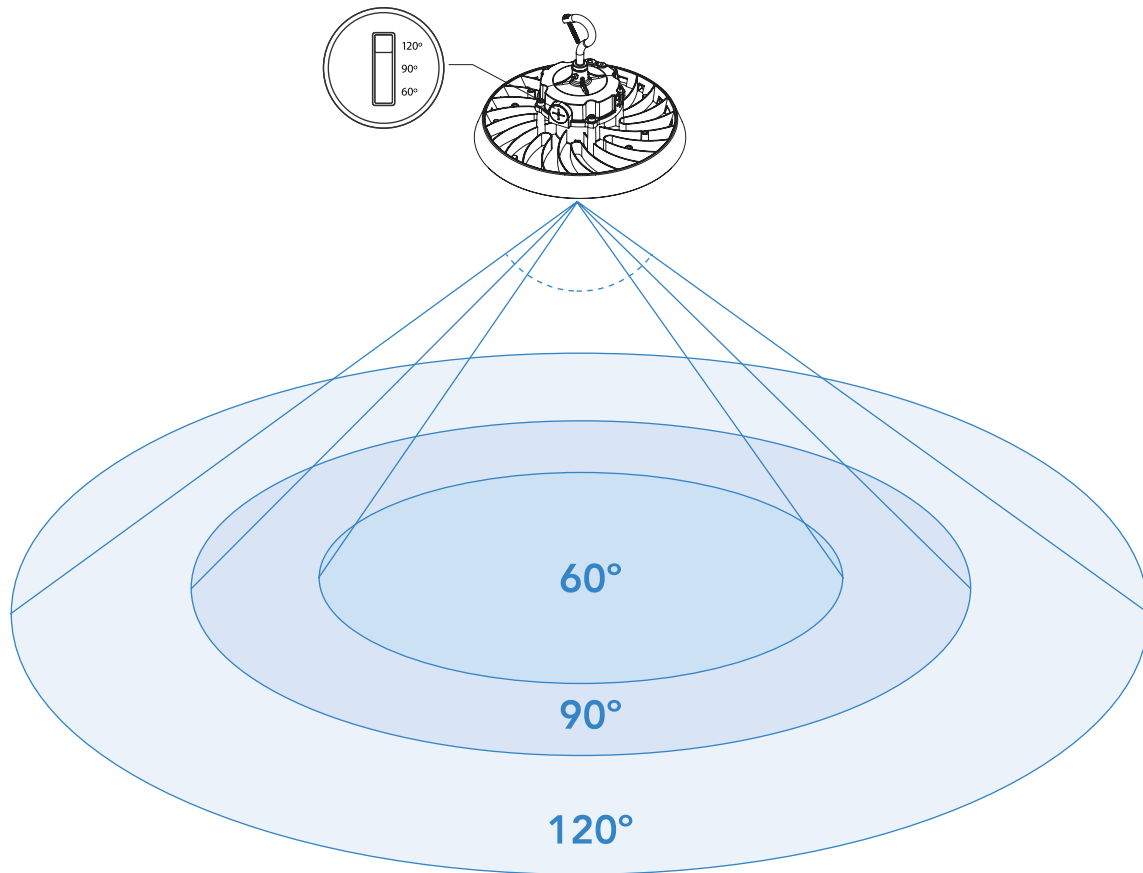
## DLC Certification

Order #	Model #	Application	DLC Standard	DLC Premium
R34231	RENO-HBU-160W-DV-MCCT-ABA-R1-BK	High-Bay Luminaires for Commercial / Industrial Buildings	–	S-S2V82X
R34232	RENO-HBU-160W-DV-MCCT-ABA-R1-WH	High-Bay Luminaires for Commercial / Industrial Buildings	–	S-S2V82X
R34233	RENO-HBU-250W-DV-MCCT-ABA-R2-BK	High-Bay Luminaires for Commercial / Industrial Buildings	–	S-KKT1N0
R34234	RENO-HBU-250W-DV-MCCT-ABA-R2-WH	High-Bay Luminaires for Commercial / Industrial Buildings	–	S-KKT1N0
R34235	RENO-HBU-320W-DV-MCCT-ABA-R3-BK	High-Bay Luminaires for Commercial / Industrial Buildings	–	S-B7VKZH

## BeamFlex™

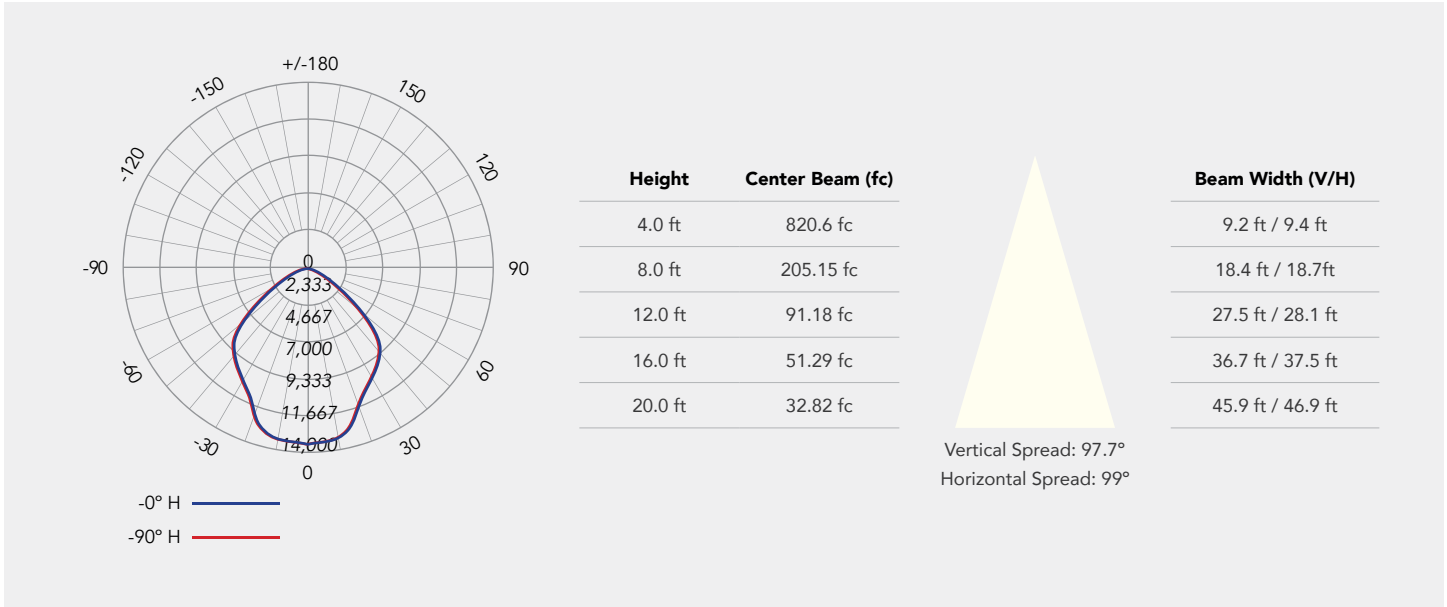
RENO Optical Technology Platform

BeamFlex™ is Reno Lighting's proprietary optical technology platform providing field-selectable beam distribution integrated within the luminaire. Beam angles are adjustable on site during installation or commissioning, eliminating the need for factory-specified fixed optics or post-installation optic replacement.



## Photometrics R1

160W 5000K 90° Beam angle

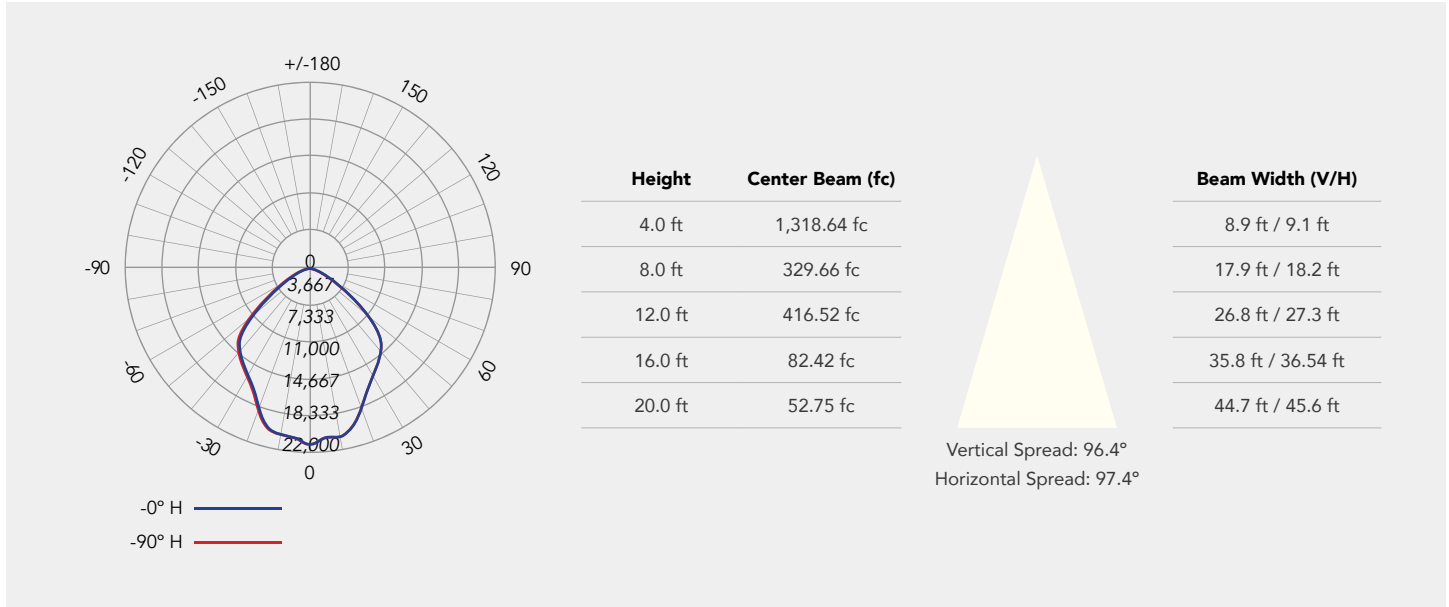


## Light Distribution (R34231, R34232)

Wattage	3500K				4000K				5000K			
	60°	90°	120°	Efficacy	60°	90°	120°	Efficacy	60°	90°	120°	Efficacy
80W	14,518 lm	15,142 lm	14,743 lm	189 lm/W	15,283 lm	15,816 lm	15,611 lm	197 lm/W	16,053 lm	16,053 lm	15,561 lm	200 lm/W
100W	17,484 lm	18,022 lm	17,709 lm	180 lm/W	18,341 lm	19,160 lm	18,875 lm	191 lm/W	19,372 lm	19,372 lm	18,670 lm	194 lm/W
120W	20,149 lm	21,041 lm	20,592 lm	175 lm/W	21,129 lm	22,462 lm	21,898 lm	187 lm/W	21,194 lm	22,570 lm	21,412 lm	188 lm/W
160W	24,326 lm	25,671 lm	24,671 lm	160 lm/W	26,084 lm	27,724 lm	26,867 lm	173 lm/W	25,803 lm	25,803 lm	27,883 lm	174 lm/W

## Photometrics R2

250W 5000K 90° Beam angle

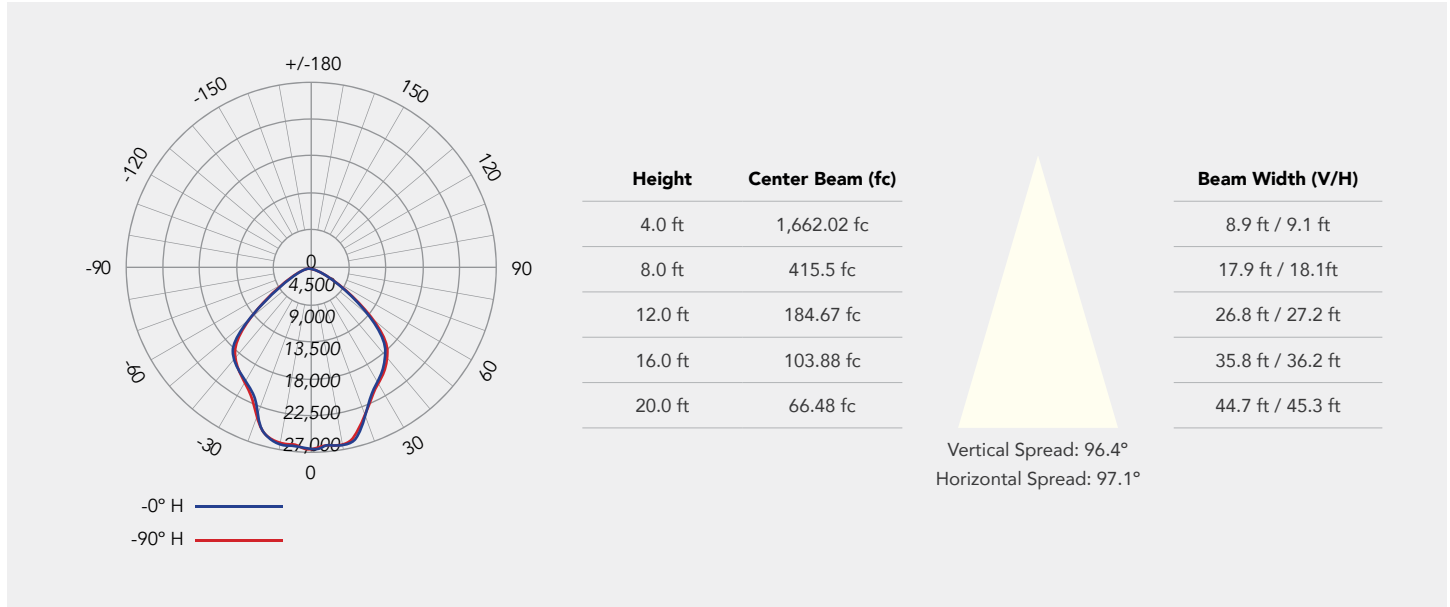


## Light Distribution (R34233, R34234)

Wattage	3500K				4000K				5000K			
	60°	90°	120°	Efficacy	60°	90°	120°	Efficacy	60°	90°	120°	Efficacy
120W	22,032 lm	22,744 lm	27,737 lm	189 lm/W	23,006 lm	23,789 lm	23,639 lm	198 lm/W	22,784 lm	24,037 lm	23,502 lm	200 lm/W
160W	27,548 lm	28,640 lm	28,468 lm	179 lm/W	28,783 lm	30,101 lm	29,755 lm	188 lm/W	28,411 lm	30,275 lm	29,295 lm	189 lm/W
200W	33,512 lm	35,051 lm	34,690 lm	175 lm/W	35,220 lm	37,201 lm	36,501 lm	186 lm/W	34,717 lm	37,291 lm	35,565 lm	186 lm/W
250W	39,879 lm	42,033 lm	41,683 lm	168 lm/W	41,433 lm	43,998 lm	42,658 lm	175 lm/W	40,148 lm	43,768 lm	41,696 lm	175 lm/W

## Photometrics R3

320W 5000K 90° Beam angle

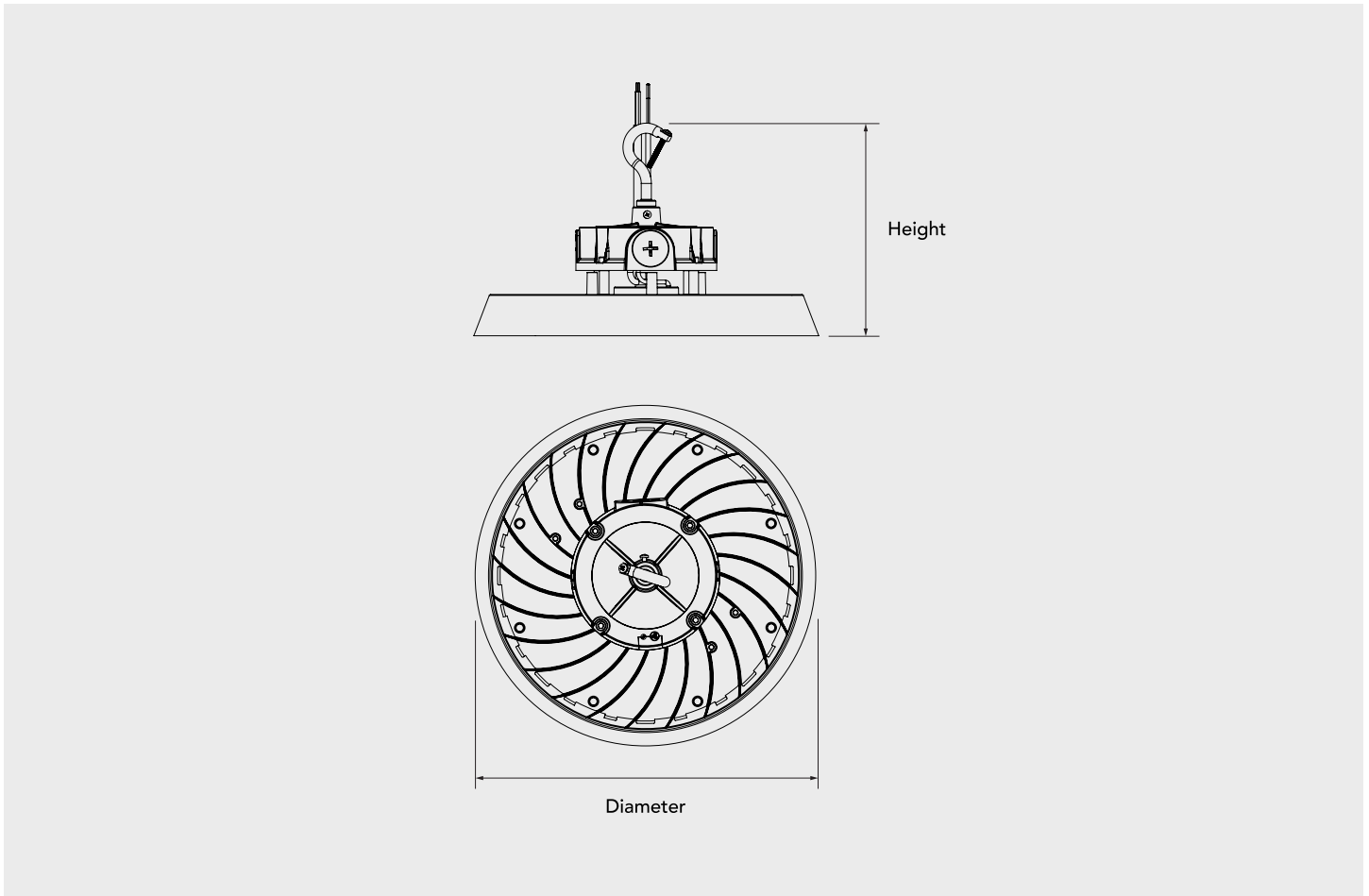


## Light Distribution (R34235)

Wattage	3500K				4000K				5000K			
	60°	90°	120°	Efficacy	60°	90°	120°	Efficacy	60°	90°	120°	Efficacy
250W	40,131 lm	41,257 lm	41,419 lm	165 lm/W	41,530 lm	43,867 lm	42,995 lm	175 lm/W	42,740 lm	46,166 lm	44,210 lm	184 lm/W
280W	44,278 lm	45,829 lm	45,766 lm	164 lm/W	45,724 lm	48,656 lm	47,308 lm	174 lm/W	46,857 lm	50,972 lm	48,444 lm	182 lm/W
300W	46,861 lm	48,732 lm	48,575 lm	162 lm/W	48,059 lm	51,553 lm	50,027 lm	172 lm/W	49,535 lm	53,800 lm	50,973 lm	179 lm/W
320W	48,912 lm	50,814 lm	50,655 lm	159 lm/W	50,704 lm	53,860 lm	52,286 lm	168 lm/W	51,471 lm	56,039 lm	53,223 lm	175 lm/W

## Dimensions

Orion R1, R2, R3



	R1	R2	R3
<b>Diameter</b>	Ø 11.52"   Ø 292.59 mm	Ø 13.19"   Ø 335 mm	Ø 13.19"   Ø 335 mm
<b>Height</b>	8.12"   206.14 mm	8.12"   206.14 mm	8.47"   215.26 mm
<b>Weight</b>	4.63 lbs   2.1 kg	5.62 lbs   2.55 kg	7.85 lbs   3.56 kg

## Accessories

### Cover and Mounting



**PC Reflector Lens for R1**  
R39601  
RENO-HBU-COVER-R1



**PC Reflector Lens for G3 - R2**  
R39606  
RENO-HBU-COVER-G3-R2



**PC Reflector Lens for G3 - R3**  
R39608  
RENO-HBU-COVER-G3-R3



**PC Reflector Bottom G3 - R1**  
R39602  
RENO-HBU-BOTTOM-G3-R1



**PC Reflector Bottom G3 - R2**  
R39607  
RENO-HBU-BOTTOM-G3-R2



**PC Reflector Bottom G3 - R3**  
R39609  
RENO-HBU-BOTTOM-G3-R3



**Yoke Mount for R1/R2/R3**  
R34601  
RENO-HUB-YOKE-G2-R1/R2/R3

Order #	Model #	Version	Type	Description
<b>R39601</b>	RENO-HBU-COVER-R1	R1	Reflector Lens	PC Prismatic Reflector Lens for R1
<b>R39606</b>	RENO-HBU-COVER-G3-R2	R2	Reflector Lens	PC Prismatic Reflector Lens for R2
<b>R39608</b>	RENO-HBU-COVER-G3-R3	R3	Reflector Lens	PC Prismatic Reflector Lens for R3
<b>R39602</b>	RENO-HBU-BOTTOM-G3-R1	R1	Bottom Cover	PC Reflector bottom cover for R1
<b>R39607</b>	RENO-HBU-BOTTOM-G3-R2	R2	Bottom cover	PC Reflector bottom cover for R2
<b>R39609</b>	RENO-HBU-BOTTOM-G3-R3	R3	Bottom cover	PC Reflector bottom cover for R3
<b>R34601</b>	RENO-HUB-YOKE-G2-R1/R2/R3	R1/R2/R3	Yoke mount	Yoke Mount for R1/R2/R3

## Accessories

### Reno Smart NLC



**Bluetooth 3.5mm Jack PIR Sensor - RENO SMART**

R75001  
RENO-RS-JK-BPDN-12V



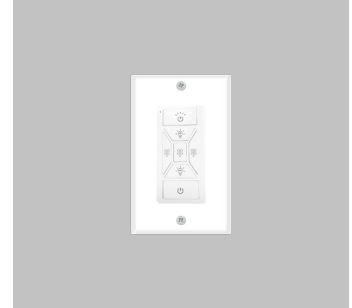
**Bluetooth 3.5mm Jack Microwave Sensor - RENO SMART**

R75002  
RENO-RS-JK-BMWM-12V



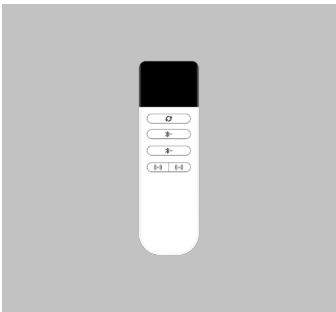
**Ceiling Mounted Gateway - RENO SMART**

R75201  
RENO-RS-GW-BCNW



**7-Key Smart Wall Switch - RENO SMART**

R75302  
RENO-RS-RC-BNNG



**5-Key Reset Remote Controller RENO SMART**

R75301  
RENO-RS-RC-BNNN

Order #	Model #	Type	Description
<b>R75001</b>	RENO-RS-JK-BPDN-12V	PIR	Bluetooth 3.5mm Jack PIR Sensor for RENO Smart NLC System
<b>R75002</b>	RENO-RS-JK-BMWM-12V	Microwave	Bluetooth 3.5mm Jack Microwave Sensor for RENO Smart NLC System
<b>R75201</b>	RENO-RS-RC-BCNW	Gateway	Ceiling Mounted Gateway for RENO Smart NLC System
<b>R75302</b>	RENO-RS-RC-BNNG	Wall Switch	7-Key Smart Wall Switch for RENO Smart NLC System
<b>R75301</b>	RENO-RS-RC-BNNN	Remote	5-Key Reset Remote Controller

## Accessories

### Remotes and Standalone Sensors



**Microwave Sensor**  
R71002  
RENO-SENSOR-MW-H



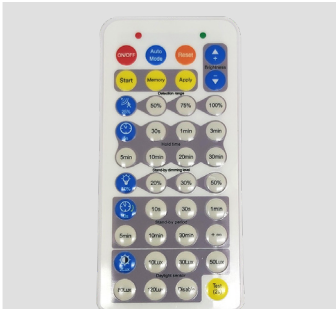
**Long Detection Range PIR Sensor**  
R74004  
RENO-SENSOR-PIR3.5-PH15M



**Photocell Sensor (black)**  
R72002  
RENO-SENSOR-PC-S-BK



**Remote for Standalone Sensors**  
R73002  
RENO-REMOTE-H



**Remote for Standalone Sensors**  
R73005  
RENO-REMOTE-H-ECO

Order #	Model #	Type	Description
<b>R71002</b>	RENO-SENSOR-MW-H	Microwave	Microwave Sensor
<b>R74004</b>	RENO-SENSOR-PIR3.5_PH15M	PIR	Long Detection Range PIR Sensor
<b>R72002</b>	RENO-SENSOR-PC-S-BK	Photocell	Photocell Sensor (black)
<b>R73002</b>	RENO-REMOTE-H	Remote	Remote Control for Standalone Sensors with Screen (Only 1 needed per project)
<b>R73005</b>	RENO-REMOTE-H-ECO	Remote	Remote Control for Standalone sensors without Screen (Only 1 needed per project)

## Accessories

### Emergency LED Drivers



**Emergency LED Driver**  
**(100-347V AC, 50-60 Hz, 40W)**  
 R83005  
 RENO-EM-40RM

Order #	Model #	Wattage	Description
<b>R83005</b>	RENO-EM-40RM	40W	Emergency LED Driver (100-347V, 50-60Hz, 40W)