

INSTRUCTIONS FOR THE FOLLOWING FIXTURES

ORDER#	MODEL#	ORDER#	MODEL#
R41030	WLL-LEDT8BC11/835-ECO	R41033	WLL-LEDT8BC14/840-ECO
R41031	WLL-LEDT8BC11/840-ECO	R41034	WLL-LEDT8BC14/850-ECO
R41032	WLL-LEDT8BC11/850-ECO		

PRODUCT FEATURES

- UL certified
- Plug-n-Play replacement
- Full glass housing: No Aging, Yellowing, Bending.
- Compatible with Electronic ballast, Emergency ballast and Dimming ballast.

PRODUCT APPLICATIONS

Widely used in residential buildings, offices, shopping malls, supermarkets, hospitals, assembly lines, warehouses, etc. for energy saving illumination.

INSTALLATION INSTRUCTIONS

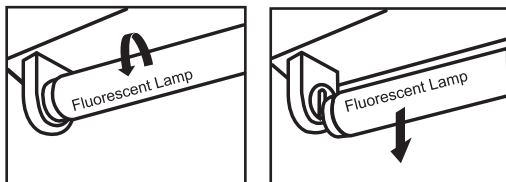
Please completely comply with these instructions and notes, to ensure that the product is operated in a safe condition.

Safety Precautions:

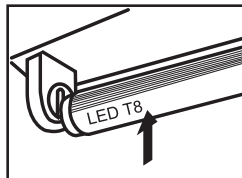
- 1). WARNING: Risk of shock. Disconnect power before installation.
- 2). LED T8 lamp for use only with products described and installed in accordance with product specifications. LED T8 lamp to be operated with fluorescent electronic ballast, emergency ballast and dimming ballast.
- 3). WARNING: RISK OF FIRE, USE ONLY IN PLACE OF FLUORESCENT LAMPS SPECIFIED ON LABEL. RISK OF ELECTRIC SHOCK. SUITABLE FOR DAMP LOCATIONS.
- 4). This lamp will only use with qualified T8 fluorescent ballast. Please check the compatibility list before installation.

INSTALLATION INSTRUCTIONS

- 1) Make Sure Power is OFF
- 2) Remove lens or diffuser (if applicable)
- 3) Remove existing fluorescent lamps from the luminaire.

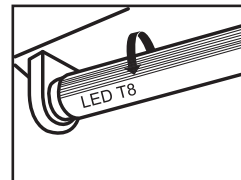


- 4) Bring LED lamp to luminaire and insert lamp pins into luminaire lamp holders.



- 5) Rotate LED lamp until lamp locks in place. Ensure that the LED lamp front points away from the back of the luminaire.

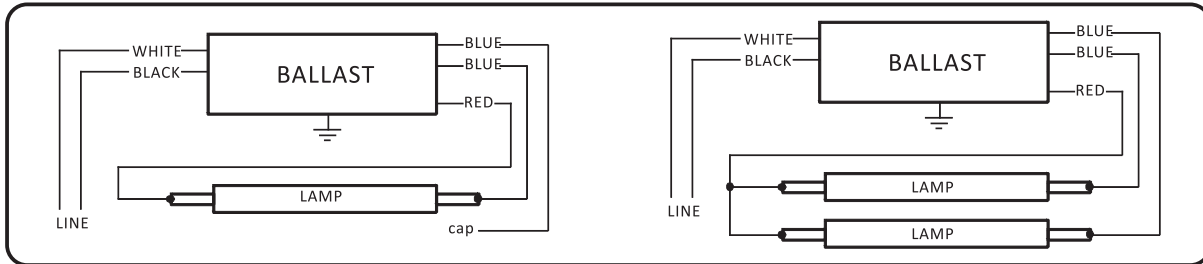
Note: install LED T8 replacement lamp one for each fluorescent lamp removed.



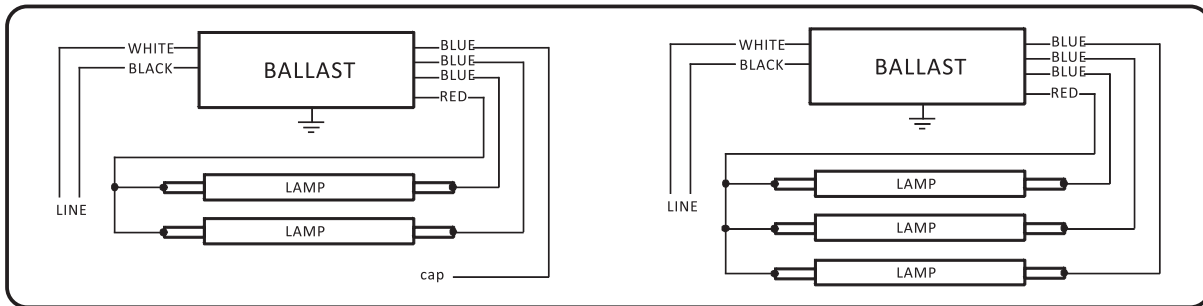
- 6) Place lens or diffuser back in place (if applicable)
- 7) Power ON

INSTANT START BALLAST WIRING DIAGRAM (CORRECT)

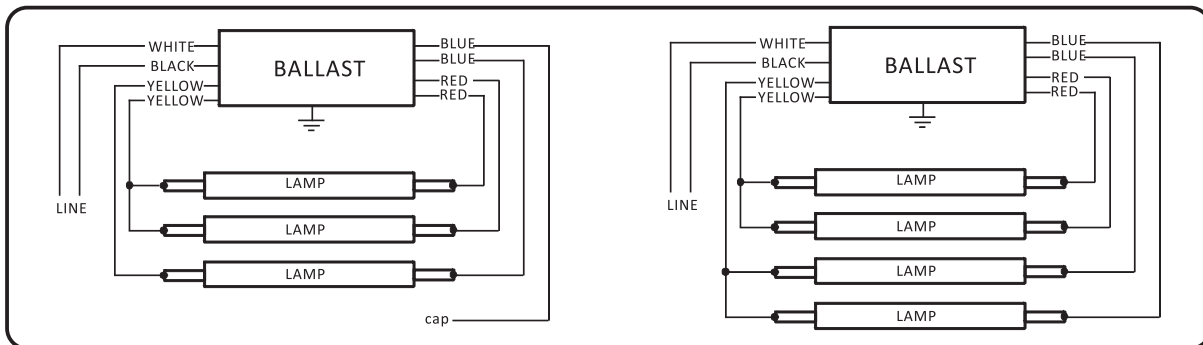
TWO LAMPS BALLAST CORRECT WIRING



THREE LAMPS BALLAST CORRECT WIRING

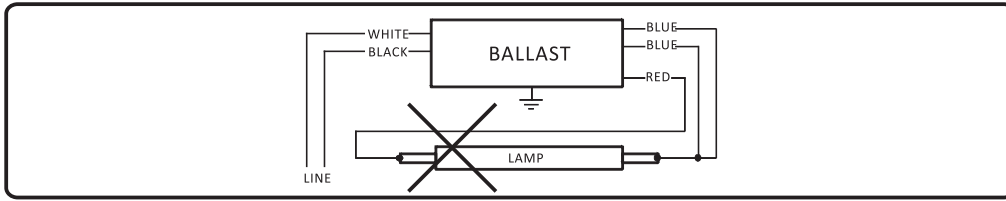


FOUR LAMPS BALLAST CORRECT WIRING

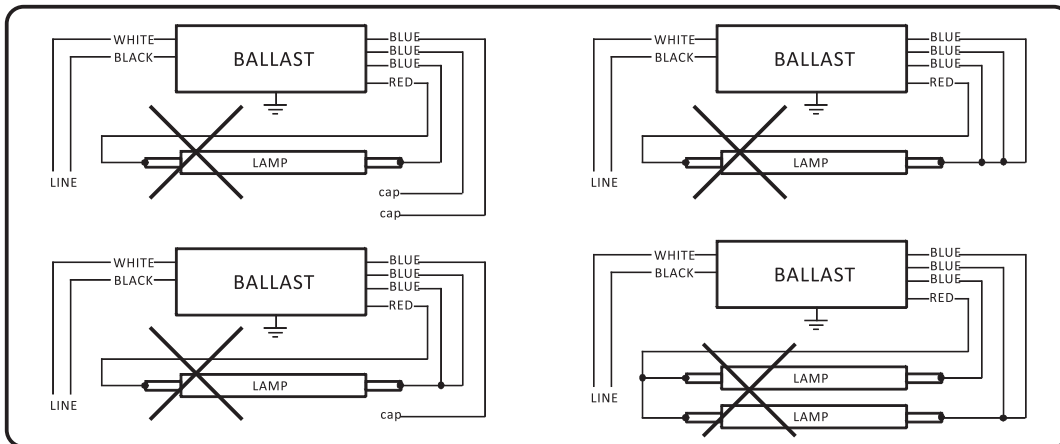


INSTANT START BALLAST WIRING DIAGRAM (INCORRECT)

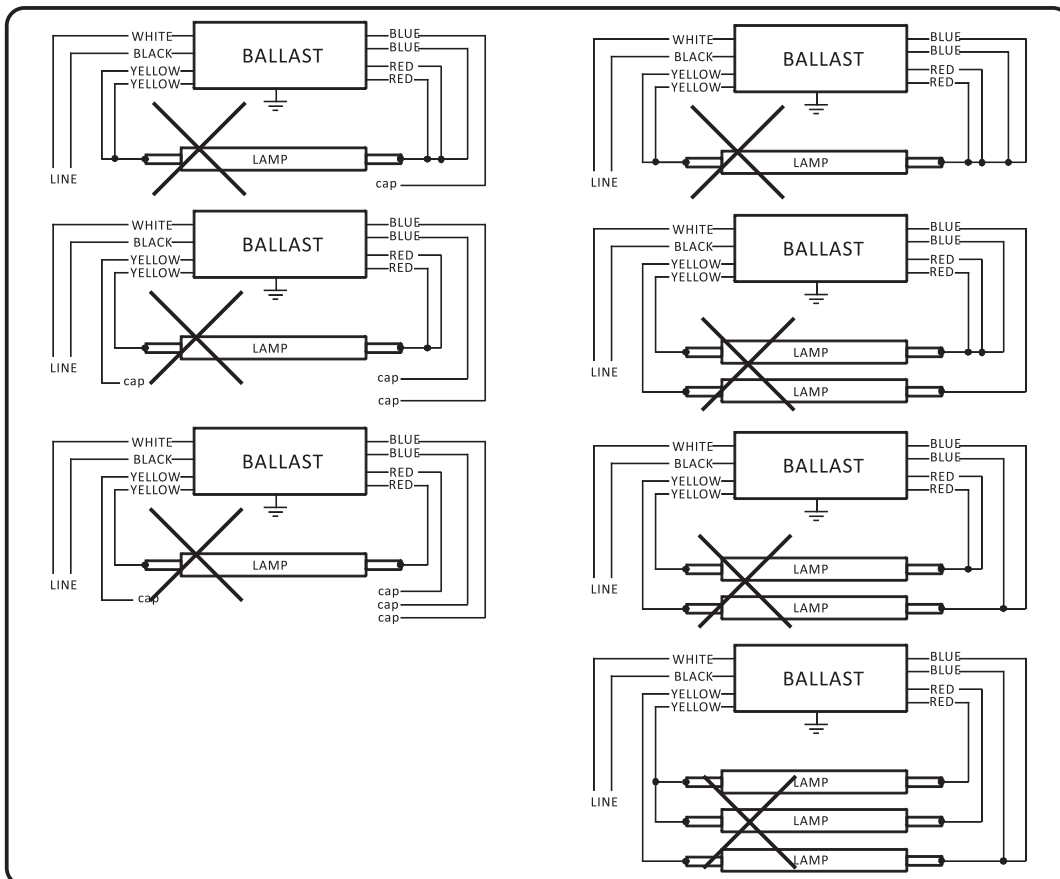
TWO LAMPS BALLAST INCORRECT WIRING



THREE LAMPS BALLAST INCORRECT WIRING



FOUR LAMPS BALLAST INCORRECT WIRING



DO NOT INSTALL THIS LAMP IN A PRE - HEAT LUMINAIRE.

N'INSTALLEZ PAS CETTE LAMPE DANS UN APPAREIL D'ÉCLAIRAGE DE PRÉCHAUFFAGE.

THIS LAMP ONLY OPERATES ON ELECTRONIC BALLASTS. IF LAMP DOES NOT LIGHT WHEN THE LUMINAIRE IS ENERGIZED, REMOVE LAMP FROM LUMINAIRE AND CONTACT LAMP MANUFACTURER OR QUALIFIED ELECTRICIAN.

CETTE LAMPE OPERE SEULEMENT AVEC LE BALLAST ELECTRONIQUE. SI LA LAMPE NE S'ALLUME PAS QUAND L'APPAREIL D'ECLAIRAGE ACTIVE, ENLEVEZ LA LAMPE DE L'APPAREIL D'ECLAIRAGE ET CONTACTEZ LE FABRICANT DE LAMPE OU UN ELECTRICIEN QUALIFIE.

CAUTION RISK OF FIRE - IF THE LAMP OR LUMINAIRE EXHIBITS UNDESIRABLE OPERATION (BUZZING, FLICKERING, ETC.), IMMEDIATELY TURN OFF POWER, REMOVE LAMP FROM LUMINAIRE AND CONTACT MANUFACTURER.

ATTENTION RISQUE DE FEU - SI LA LAMPE OU LE LUMINAIRE MONTRE DES SIGNES D'OPERATION INDESIRABLE (BRUIT, VIBRATION, CLIGNOTEMENT, ETC.), ALORS COUPER IMMÉDIATEMENT LE COURANT ET ENLÈVER LA LAMPE DE L'APPAREIL D'ÉCLAIRAGE ENTRER EN CONTACT AVEC LE FABRICANT.

4. Safety Information:

- (1) Check the lamp before installation, if there is any damage caused during transportation, do not install.
- (2) Maintenance should be carried out by technical personnel only.
- (3) Do not stare at the light source with bare eyes for a long time, or beam to others' eyes.
- (4) Do not place any objects on the lamp.
- (5) Keep the lamp away from flame or high temperature objects.
- (6) Only replace with same type of LED tube! Risk of electrical shock!
- (7) If the glass lamp tube is broken, the lamp must be disposed of immediately!

5. Maintenance Notes

- (1) Disconnect lamp from power supply before any maintenance.
- (2) Clean luminaire with dry cloth.
- (3) Do not clean the lamp with corrosive chemicals.
- (4) FOR EMERGENCY LIGHTING WHEN ONLY WITH Ballast - Listed (FTBR/7), PHILIPS EMERGENCY LIGHTING (E49328), Model B50 (Alternate RS), Rated 120/277V, 50/60Hz, Damp Location Fluorescent Emergency Ballast.
- (5) Please ensure the temperature of Tc point is under 131°F after the lamp working properly for 2 hours, otherwise the performance of lamp might not comply with the specification.



This product may cause interference to radio equipment and should not be installed near maritime safety communications equipment or other critical navigation or communication equipment operating between 0.45-30 MHz.

