

INSTRUCTIONS FOR THE FOLLOWING FIXTURES

ORDER#	MODEL#
R53061	RENO-AEROLUX-SB-MW-DV-MCCT-ABA-R1-BK
R53062	RENO-AEROLUX-SB-MW-DV-MCCT-ABA-R1-WH
R53063	RENO-AEROLUX-SB-MW-DV-MCCT-ABA-R1-BRN
R53064	RENO-AEROLUX-SB-MW-DV-MCCT-ABA-R2-BK
R53065	RENO-AEROLUX-SB-MW-DV-MCCT-ABA-R2-WH
R53066	RENO-AEROLUX-SB-MW-DV-MCCT-ABA-R2-BRN

1. PREFACE

This manual details the complete installation process for AEROLUX LED AREA LIGHT, including three key parts: square pole mounting, round pole mounting and shield cover assembly.

- 1.1 Installation must be performed by qualified electricians in compliance with local electrical safety codes.
- 1.2 Before installation, confirm all accessories are intact and prepare the required tools.
- 1.3 Keep this manual for future reference.

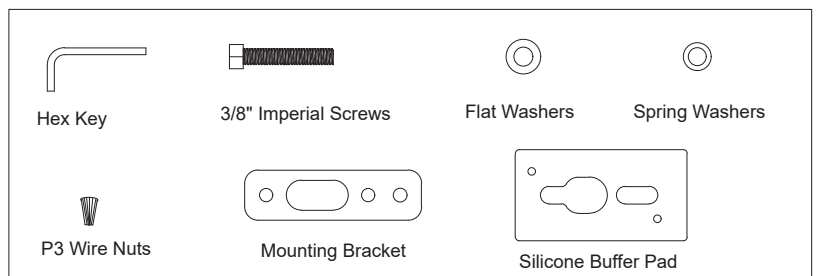
2. Safety Precautions

- 2.1 Disconnect the power supply completely before installation to avoid electric shock.
- 2.2 Wear personal protective equipment (gloves, safety glasses) during operation.
- 2.3 Ensure the mounting pole is stable and can bear the weight of the fixture.
- 2.4 Do not modify the fixture or accessories; use only the provided parts.

3. SQUARE POLE MOUNTING

3.1 Required Accessories & Tools

Accessories/Tools	Quantity	Remarks
Mounting Bracket	1 set	Square pole-specific
Silicone Buffer Pad	1 pc	Adhesive-backed
3/8" Imperial Screws	2 pcs	For pole mounting
Flat Washers	2 pcs	Matched with 3/8" screws
Spring Washers	2 pcs	Matched with 3/8" screws
P3 Wire Nuts	3 pcs	For wire connection
Hex Key	1 pc	Included in accessory pack

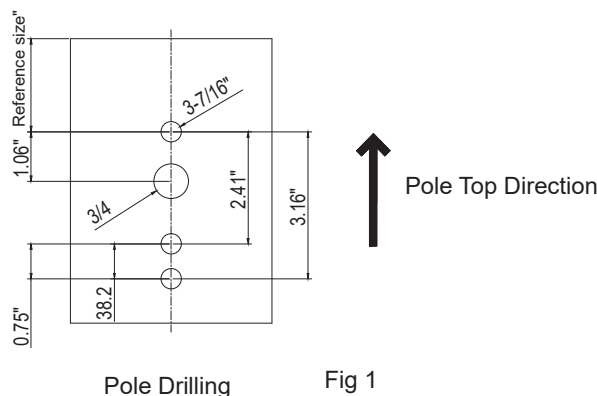


3.2 Installation Steps

- **Check Accessories:** Verify all square pole mounting accessories are complete (refer to the list above).

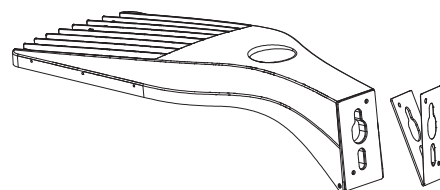
- **Drill Holes in the Pole:**

1. Mark the drill positions on the square pole according to the mounting bracket's hole spacing (refer to Fig 1: Square Pole Drilling Template).
2. Drill holes of appropriate size (matching 3/8" screws).



- **Attach Silicone Buffer Pad**

1. Peel off the adhesive backing of the silicone buffer pad.
2. Stick it to the designated position on the fixture (Fig 2).



AEROLUX LED AREA LIGHT INSTALLATION GUIDE

Prepare the Bracket Box

Loosen the screw on the bracket box cover and lift the cover. Pull out the fixture's internal wires through the opening. (Fig 3)

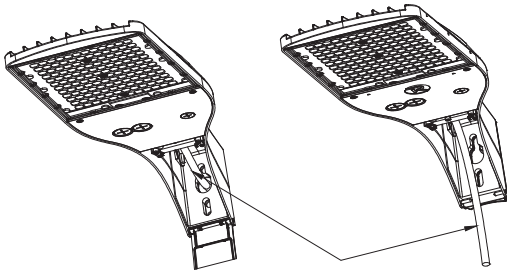


Fig 3

Select Fixture Settings

Choose the desired color temperature, power, and light distribution type (Fig 4).

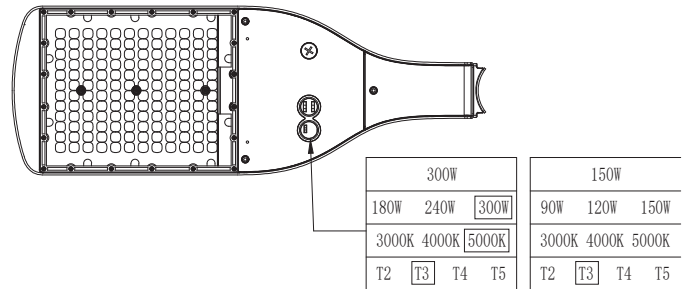


Fig 4

Default Settings

Install Mounting Screws(Fig 5)

1. Assemble the 3/8" screws, flat washers, and spring washers in the order: Screw → Flat Washer → Spring Washer.
2. Insert the assembled screws into the pre-drilled holes on the pole.
3. Tighten the top screw partially (1-2 turns) to provide temporary support.

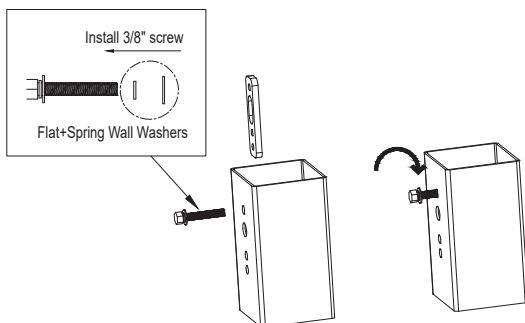


Fig 5

Thread Wires Through the Pole

Guide the pulled-out wires through the interior of the square pole (ensure wires are not pinched or damaged).(Fig 6)

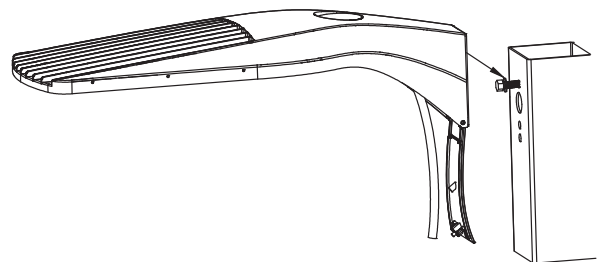


Fig 6

Secure the Fixture

Fully tighten both 3/8" screws with the 3/8" socket wrench to fix the fixture and bracket firmly to the pole.(Fig 7)

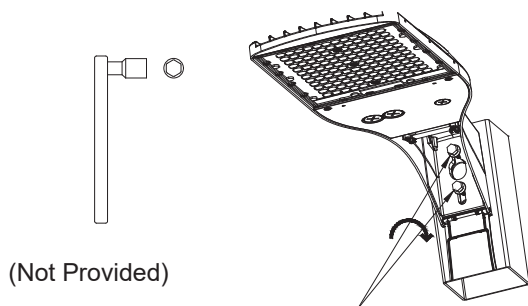


Fig 7

Wire Connection

1. Connect the fixture wires to the power supply wires using P3 wire nuts.(Fig 8)
2. Ensure connections are tight and insulated.

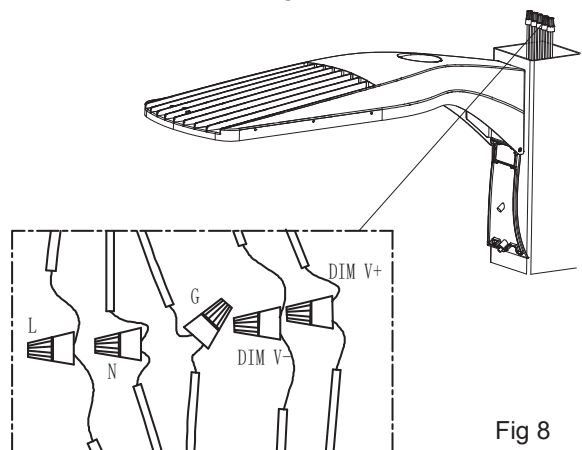


Fig 8

• Test Fixture Functions

1. Reconnect the power supply (temporarily) and check if the fixture operates normally (no flickering, abnormal noise, or overheating).
2. If malfunction occurs, disconnect power immediately and recheck wiring.

• Complete Installation

1. Turn off the power supply again.
2. Lock the bracket box cover and pole top cover firmly with the provided screws (Fig 9)

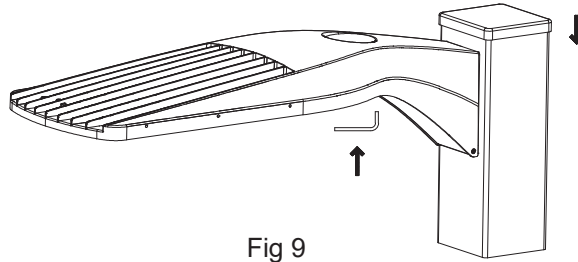
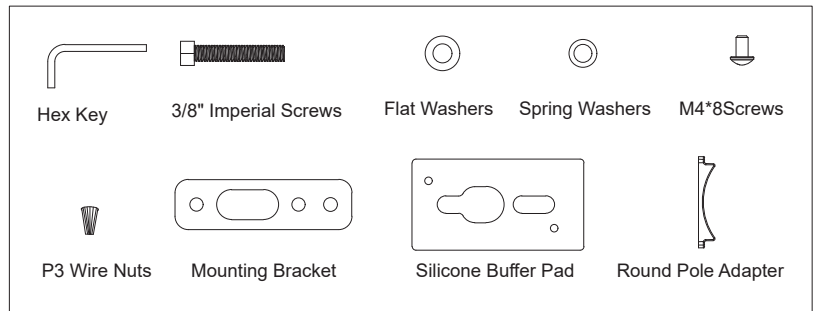


Fig 9

4. Round Pole Mounting

4.1 Required Accessories & Tools

Accessories/Tools	Quantity	Remarks
Mounting Bracket	1 set	Square pole-specific
Silicone Buffer Pad	2 pcs	Adhesive-backed
3/8" Imperial Screws	2 pcs	For pole mounting
Flat Washers	2 pcs	Matched with 3/8" screws
Spring Washers	2 pcs	Matched with 3/8" screws
P3 Wire Nuts	3 pcs	For wire connection
Hex Key	1 pc	Included in accessory pack
Round Pole Adapter	1 pc	For round pole mounting
M4*8 Screws	2 pcs	For Secure Buffer Pad & Bracket



4.2 Installation Steps

- **Check Accessories:** Verify all round pole mounting accessories are complete (refer to the list above).
- **Attach Buffer Pad to Bracket**

1. Peel off the adhesive backing of the silicone buffer pad.
2. Stick it to the designated surface on the round pole mounting bracket (Fig 1).

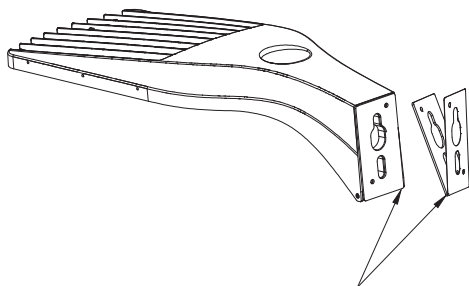


Fig 1

- **Secure Buffer Pad & Bracket**

Use 2 M4 screws to lock the buffer pad onto the round pole mounting bracket (tighten with the hex key, as shown in Fig 2).

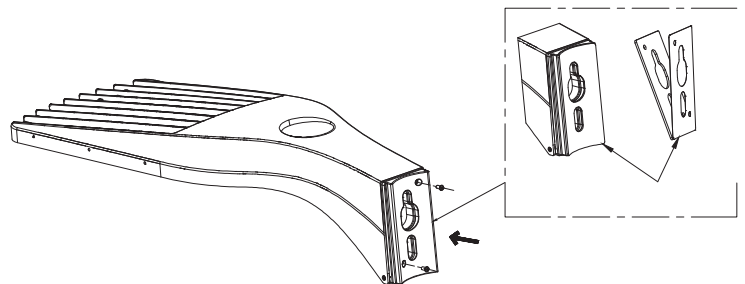


Fig 2

AEROLUX LED AREA LIGHT INSTALLATION GUIDE

• Install Mounting Screws(Fig 3)

- 1.Assemble the 3/8" screws, flat washers, and spring washers in the order: Screw → Flat Washer → Spring Washer.
- 2.Insert the assembled screws into the pre-drilled holes on the round pole (drill holes according to bracket hole spacing, marked in Diagram 4).
- 3.Tighten the top screw partially (1-2 turns) for temporary support.

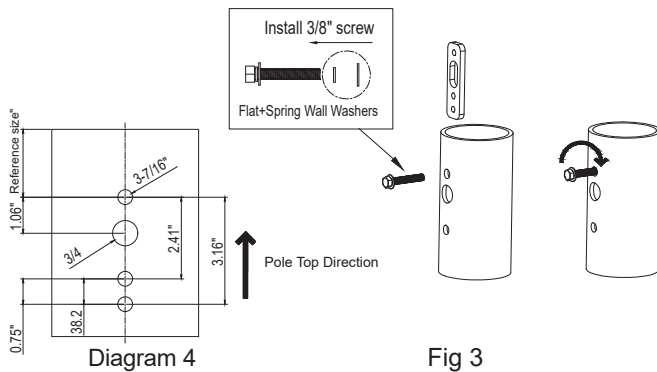


Fig 3

• Hang & Secure the Fixture

- 1.Hang the fixture onto the partially tightened screws.(Fig 5)
- 2.Fully tighten both 3/8" screws with the 3/8" socket wrench to fix the fixture to the pole.(Fig 6)

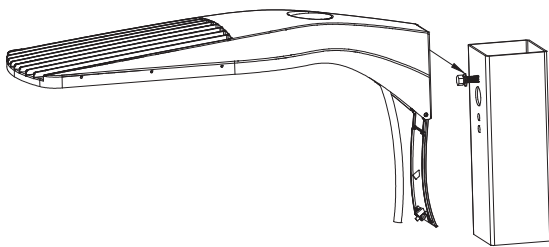


Fig 5

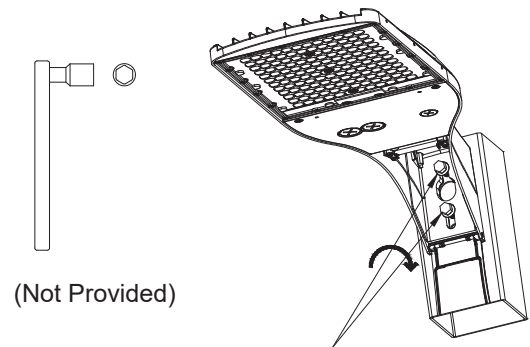


Fig 6

• Thread Wires Through the Pole

Guide the wires through the interior of the round pole (avoid wire damage).(Fig 7)

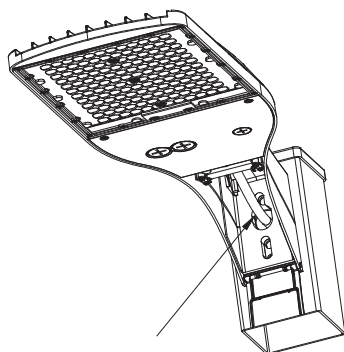


Fig 7

• Wire Connection

Connect wires using P3 wire nuts (follow the same standard as square pole mounting, refer to Fig 8).
Reconnect power and confirm normal operation (no abnormalities).

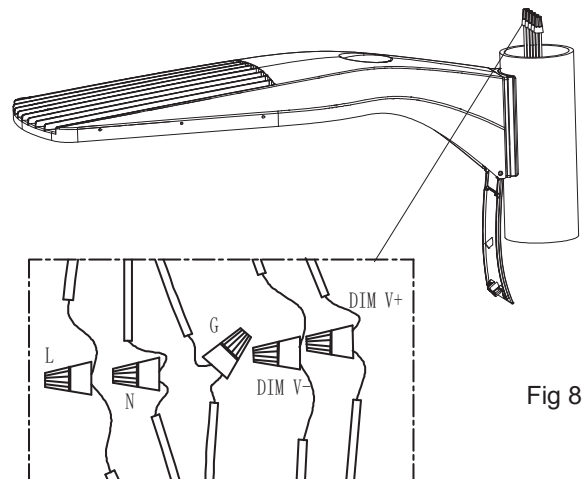


Fig 8

• Complete Installation

1. Turn off power.
2. Lock the bracket box cover and pole top cover firmly (Fig 9).

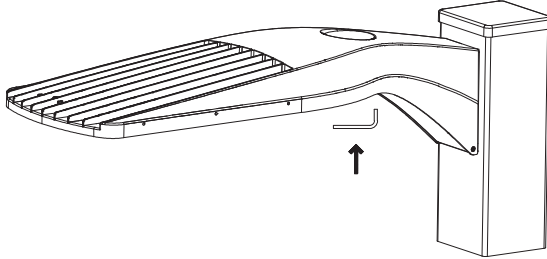


Fig 9

5. Reflector Installation

5.1 Required Accessories & Tools

Accessories/Tools	Quantity	Remarks
Reflector	1 pc	Matching Area Light
M4*6 Machine Screws	8 pcs	Included in accessory pack

5.1 Installation Steps

1. Align the reflector with the mounting positions on the fixture (Fig 1).
2. Ensure the reflector fits tightly against the fixture surface.

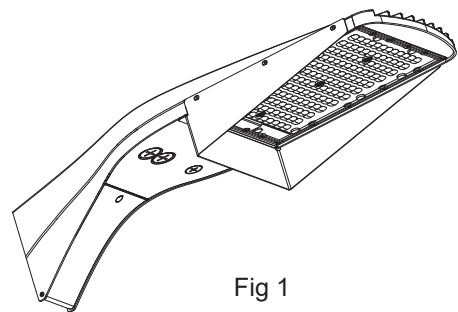
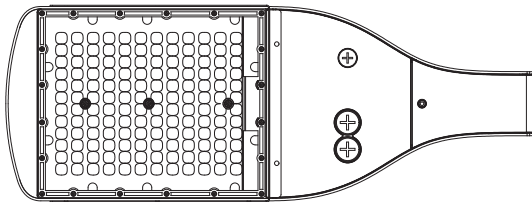
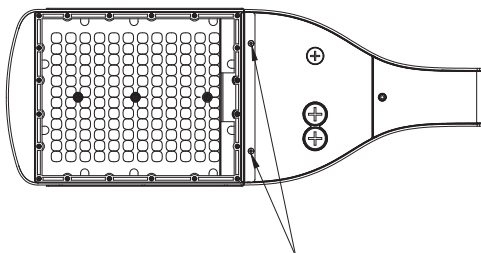


Fig 1

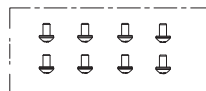
Tighten Initial Screws

Use a Phillips screwdriver to tighten the first 2 screws (marked "Initial Fixing Screws" in Fig 2) to secure the reflector temporarily.



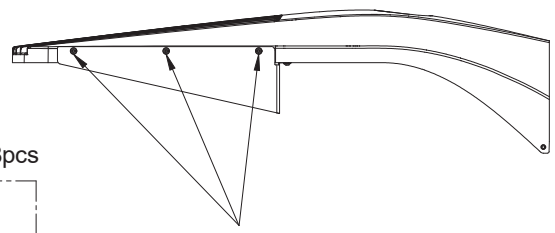
Initial Fixing Screws*2pcs

M4x6 Screws *8pcs



Fully Secure the Reflector

1. Tighten the remaining 6 screws (3 on each side of the reflector, marked "Side Fixing Screws" in Fig 3) with the Phillips screwdriver.
2. Ensure all screws are tightened evenly to prevent loosening.



Side Fixing Screws*6pcs

6. Post-Installation Check

Final Inspection List

- 6.1 All screws and fasteners are tightly secured (no loosening).
- 6.2 The fixture is level and stably mounted on the pole.
- 6.3 Wires are properly connected (no exposed conductors, tight connections).
- 6.4 The fixture operates normally (stable light output, no overheating).
- 6.5 Bracket box cover and pole top cover are fully locked.

7. Troubleshooting

Issue	Solution
Fixture does not turn on	1. Check if power supply is normal. 2. Recheck wiring connections. 3. Ensure wire nuts are tight.
Fixture is loose	Retighten all mounting screws (3/8" screws and M4 screws).
Flickering/abnormal noise	1. Disconnect power immediately. 2. Check for loose wiring or damaged components. 3. Contact technical support.
Overheating	Stop using the fixture and contact the manufacturer for inspection.