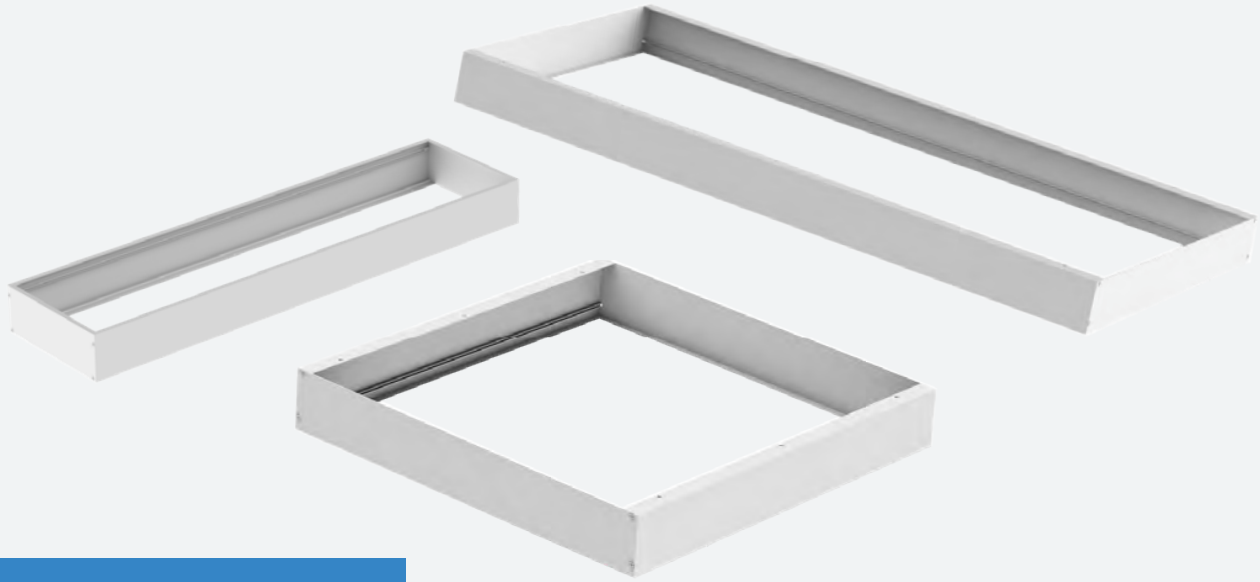


| | |
|-------|---------------|
| Date: | Project Name: |
| Type: | Part Number: |



FLANGE KIT

DESCRIPTION

RENO Lighting's Surface Flange Kit fits 1'x4', 2'x2' and 2'x4' flat panels. With a flush finish installation the kit best for commercial or residential applications.

FEATURES

- Aluminum Alloy & PC Material
- Easy Installation & Maintenance
- 7 year warranty

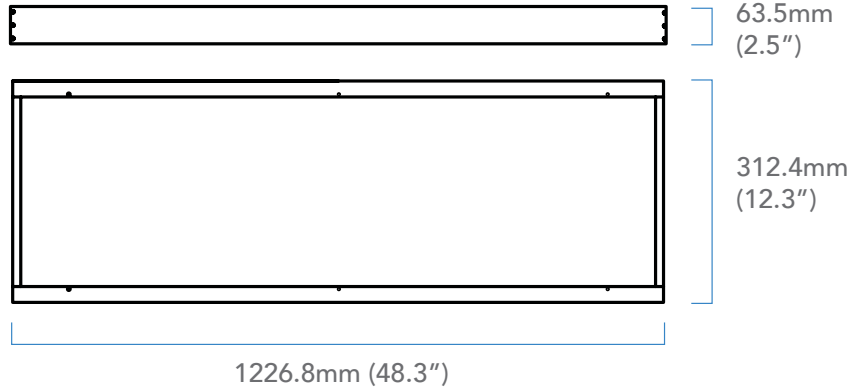
SPECIFICATION

| ORDER# | MODEL# | DESCRIPTION |
|--------|------------|------------------------------------|
| R39201 | RENO-SMK14 | Surface Flange Kit for 1'x4' panel |
| R39202 | RENO-SMK22 | Surface Flange Kit for 2'x2' panel |
| R39203 | RENO-SMK24 | Surface Flange Kit for 2'x4' panel |

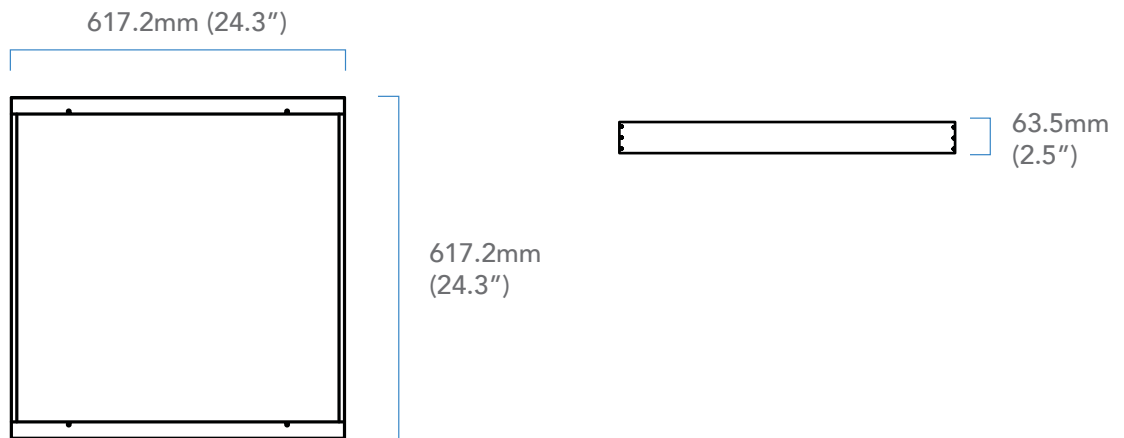
| | |
|-------|---------------|
| Date: | Project Name: |
| Type: | Part Number: |

DIMENSIONS

1'X4'



2'X2'



2'X4'

