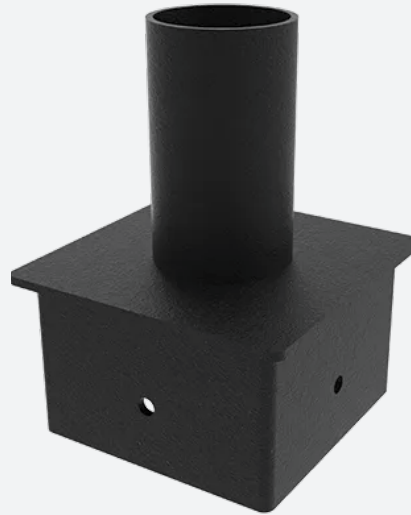


Date:	Project Name:
Type:	Part Number:



RENO-TAS4



RENO-TAS5

TENON BRACKET

SQUARE POLE MOUNT

DESCRIPTION

The RENO-SQUARE TENON ADAPTOR which converts the top of a 4" or 5" square pole into a 2 3/8" single tenon. It slips inside the pole and is perfect for the standard Slip-Fitter accessory.

FEATURES

- 2 3/8" horizontal tenon
- Fits over a 4" or 5" Square pole
- Powder coated steel
- Matte Black Finish
- Custom colours available
- 10 year warranty



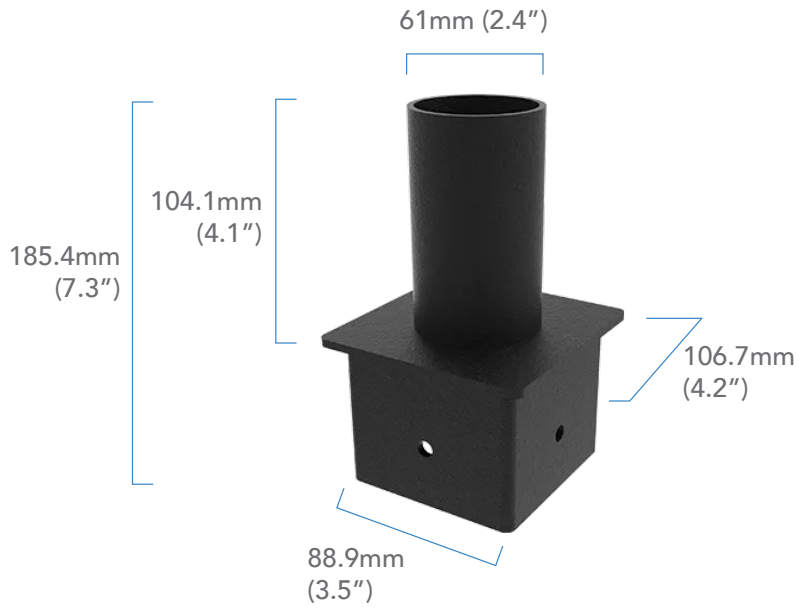
TENON MOUNT

ORDER#	MODEL#	DESCRIPTION
R59308	RENO-TAS4	TENON ADAPTOR FOR 4" SQUARE POLE – 4" TENON
R59309	RENO-TAS5	TENON ADAPTOR FOR 5" SQUARE POLE – 4" TENON

Date:	Project Name:
Type:	Part Number:

DIMENSIONS

4"



5"

